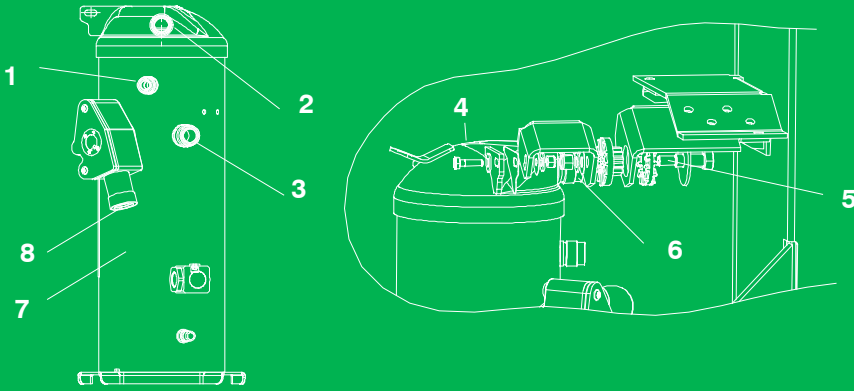
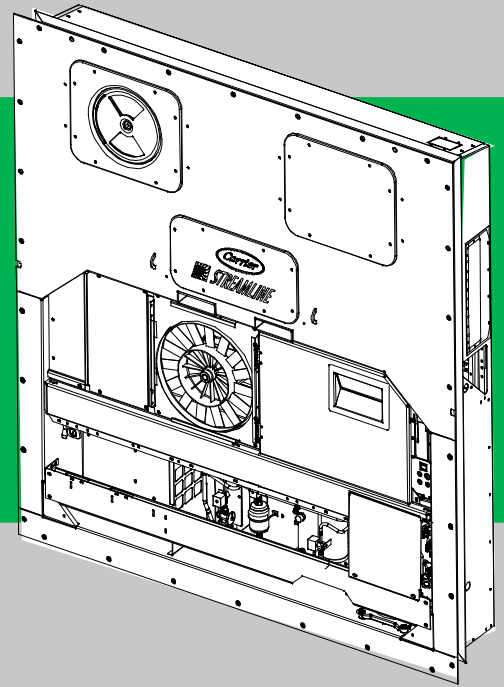




# Container Refrigeration



## SERVICE PARTS LIST for 69NT20-551-300 to 399 Container Refrigeration Units



**TRANSICOLD**

---

**SERVICE PARTS LIST  
CONTAINER REFRIGERATION UNIT**

**MODEL  
69NT20-551-300-399  
Streamline Scroll**

## TABLE OF CONTENTS

INTRODUCTION .....	ii
CONFIGURATION IDENTIFICATION .....	ii
OPTION DESCRIPTIONS .....	ii
ORDERING INSTRUCTIONS .....	iii
LETTER DESIGNATIONS .....	iii
1. QUICK LIST - Clamps, Filter-Drier, Fuses, Ty-Raps, and Wire Terminals .....	1
2. REFRIGERATION UNIT ASSEMBLY .....	2
2.1 Refrigeration Unit - Area Locator .....	2
2.2 Control Box Door .....	4
2.3 Control Box - Composite .....	6
2.4 Control Box - Standard Electrical Components, Remote Monitoring and CFS .....	8
2.5 Control Box - Controller Module Section and Software Cards .....	10
2.6 Control Box - Display Module and Communications Interface Module Section .....	12
2.7 Condenser Fan Motor, Condenser Coil, Drain Kit, and Bolted or Hinged Grille Section .....	14
2.8 Compressor Tubing Section .....	16
2.9 Economizer, Economizer Expansion Valve, Economizer Solenoid Valve, Liquid Valve & Filter Drier Section .....	18
2.10 Receiver Section .....	20
2.11 STS and SRS Section .....	21
2.12 Oil Separator Section .....	22
2.13 Lower Fresh Air Makeup Vent .....	23
2.14 Upper Fresh Air Makeup .....	24
2.15 Upper Fresh Air Access Panel .....	27
2.16 Evaporator Fan Assembly and Transfresh .....	28
2.17 Evaporator Coil Section .....	30
2.18 Back Panel Assembly - Aluminum Bolted .....	32
2.19 Compressor Mounting Components and Guard .....	34
2.20 Temperature Recorder - None .....	36
2.21 Compressor Transducers .....	37
2.22 Cable Restraint Components (Bungy Cords and J-Hooks) .....	38
2.23 Voltage Cables (460V) .....	39
2.24 Labels and Decals .....	40
3. INTERROGATOR AND ACCESSORIES .....	42
3.1 Datareader .....	42
3.2 Interrogator Receptacle .....	44
4. COMPRESSOR - SCROLL .....	46
5. CONTROLLER/DATACORDER .....	47
6. TOOLS .....	48

# INTRODUCTION

## 1 INTRODUCTION

The Carrier Transicold model 69NT20-551-300 to 399 series units are of lightweight aluminum frame construction, designed to fit in the front of a container and serve as the container front wall.

## 2 CONFIGURATION IDENTIFICATION

Unit identification information is provided on a plate located near the compressor. The plate provides the unit model number, the unit serial number and the unit parts identification number (PID). The model number identifies the overall unit configuration while the PID provides information on specific optional equipment, factory provision to allow for field installation of optional equipment and differences in detailed parts. **(Contact Carrier Transicold Service for information)**

## 3 OPTION DESCRIPTIONS

Various options may be factory or field fitted to the base unit. These options are listed in the tables and described in the following subparagraphs.

### 3.1 Battery

The refrigeration controller may be fitted with standard replaceable batteries or rechargeable battery pack.

### 3.2 Dehumidification

The unit may be fitted with a humidity sensor. This sensor allows setting of a humidity set point in the controller. In the dehumidification mode the controller will operate to reduce internal container moisture level.

### 3.3 Control Box

The control box is composite material and may be fitted with a lockable door.

### 3.4 Temperature Readout

The unit may be fitted with suction and discharge temperature sensors. The sensor readings may be viewed on the controller display.

### 3.5 Pressure Readout

The unit is fitted with standard suction and discharge transducers. The transducer readings may be viewed on the controller display.

### 3.6 USDA

The unit may be supplied with fittings for additional temperature probes which allow recording of USDA Cold Treatment data by the integral DataCORDER function of the Micro-Link refrigeration controller.

### 3.7 Interrogator

Units that use the DataCORDER function are fitted with interrogator receptacles for connection of equipment to download the recorded data. Two receptacles may be fitted, one accessible from the front of the container and the other mounted inside the container (with the USDA receptacles).

### 3.8 Remote Monitoring

The unit may be fitted with a remote monitoring receptacle. This item allows connection of remote indicators for COOL, DEFROST and IN RANGE. Unless otherwise indicated, the receptacle is mounted at the control box location

### 3.9 Communications.

The unit may be fitted with a communications interface module. The communications interface module is a slave module which allows communication with a master central

monitoring station. The module will respond to communication and return information over the main power line. Refer to the ship master system technical manual for further information.

### 3.10 Compressor

The unit is fitted with a scroll compressor.

### 3.11 Condenser Coil

The unit is fitted with a 4 row coil using 7mm tubing.

### 3.12 Temperature Recorder

The unit may be fitted with an electronic recorder manufactured by Partlow Corporation.

### 3.13 Back Panels

Back panel designs that may be fitted include panels of aluminum and stainless steel. Panels may be fitted with access doors and/or hinge mounting.

### 3.14 460 Volt Cable

Various power cable and plug designs are available for the main 460 volt supply. The plug options tailor the cables to each customers requirements.

### 3.15 Cable Restraint

Various designs are available for storage of the power cables. These options are variations of the compressor section front cover.

### 3.16 Upper Air (Fresh Air Make Up)

The unit may be fitted with an upper fresh air makeup assembly. The openings may also be fitted with screens.

### 3.17 Evaporator

The unit is fitted with an evaporator coil and a hermetic thermal expansion valve.

### 3.18 Evaporator Fan Operation

The units are fitted with Normal Evaporator Fan Operation, opening of an evaporator fan internal protector will shut down the unit.

### 3.19 Labels

Operating Instruction and Function Code listing labels will differ depending on the options installed.

### 3.20 Plate Set

Each unit is equipped with a tethered set of wiring schematic and wiring diagram plates. The plate sets are ordered using a seven digit base part number and a two digit dash number. **(Contact Carrier Transicold Service for information)**

### 3.21 Controller

Two different controllers are available:

1. Remanufactured - Controller is the equivalent of a new OEM controller and is supplied with a 12 month warranty.
2. Repaired - Controller has had previous faults repaired and upgraded with the latest software.

Note: Repaired controllers are NOT to be used for warranty repairs only full OEM Remanufactured controllers are to be used.

Controllers will be factory equipped with the latest version of operational software, but will NOT be configured for a specific model number and will need to be configured, at the time of installation or sale.

### 3.22 Condenser Grille

Two styles of condenser grilles are available, direct bolted grilles and hinged grilles.

# OPTION LEGEND

General	
-	Feature Not Applicable
X	Features that apply to model
P	Factory Installation of Equipment to Allow Field Installation
Battery Codes	
S	Standard (throw away) Cells
R	Rechargeable Cells
Control Box Codes	
C	Composite Box Without Door Lock
CL	Composite Box With Door Lock
Pressure Readout Codes	
T	Factory Installed Pressure Transducers
USDA Codes	
D	Option D
1	Option 1
2	Option 2
Interrogator Codes	
1	Left Straight Mount
Communications Codes	
1	Standard
2	High Data Rate
3	Chipset Modem
4	Low Data Rate
Compressor Codes	
S	Scroll
Condenser/Receiver Codes	
4	Four Row Coil
L	Large Receiver

Temperature Recorder Codes	
7	Standard Electronic Partlow
8	Special Electronic Partlow
9	No Temperature Recorder
10	Electronic Partlow (Both)
Back Panel Codes	
1	Bolted Panels
460 Volt Cable Codes	
1	Option1
Cable Restraint Codes	
1	Cable Door
2	Left Bungy Cord Only
3	J-Hook
R	Dummy Receptacle
Upper Air Codes	
1	No Upper Fresh Air
2	Upper Fresh Air Installed
Condenser Grille Codes	
B	Bolted Grille
H	Hinged Grille
Evaporator Codes	
6	Streamline Coil
Evaporator Fan Codes	
1	Normal Evaporator Fan Operation
Label Codes	
1	English
2	English / Spanish
5	English / Traditional Chinese

## Ordering Instructions

All orders and inquiries for parts must include: Parts Identification Number (**PID**), Model Number, Unit Serial Number, Part Number, Description of part as shown on list and Quantity required. Address all correspondence for parts to the following address:

CARRIER TRANSICOLD DIVISION  
Performance Parts, TR-20  
P.O. Box 4805, Syracuse, New York 13221  
or FAX to: (315) 432-3778

## Letter Designations

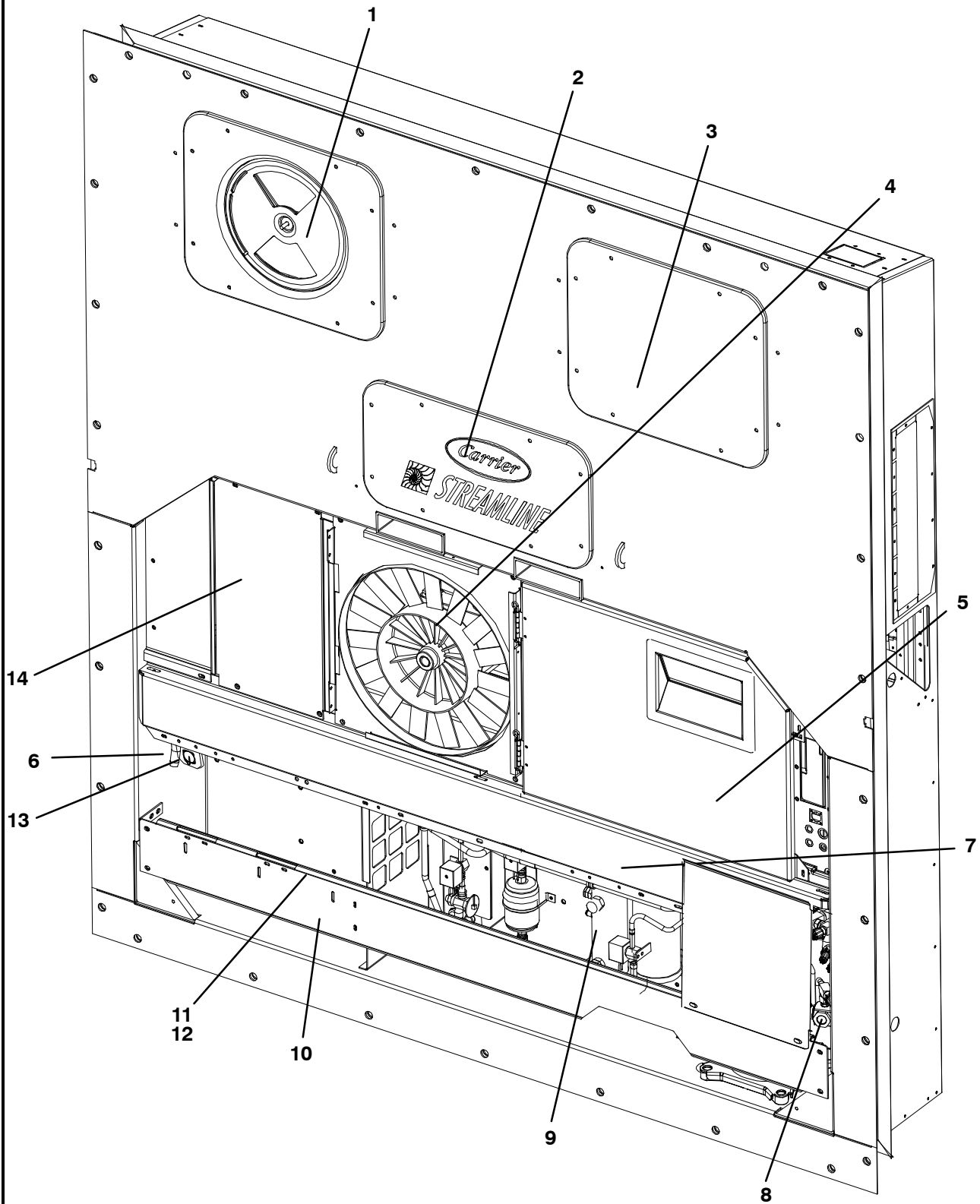
The following letter designations are used to classify parts throughout this list:

- A/R = *As Required*
- N/A = *Not Available*
- NS = *Not shown in illustration*
- NSS = *Not sold separately - Order next higher assembly or kit*
- PID = *Parts Identification Number - essential to identify unit configuration.*
- PL = *Purchase Locally*
- SST = *Stainless Steel - 300 Series unless otherwise specified.*
- SV = *Suffix SV - added to part number designates service replacement part.*

**1 QUICK LIST - CLAMPS, FILTER-DRIER, FUSE, TY-RAPS, AND WIRE TERMINALS**

<b>PART NO.</b>	<b>DESCRIPTION</b>
34-00373-51	Clamp, Tube, 1/4 - SST
34-00373-53	Clamp, Tube, 3/8 - SST
34-00373-05	Clamp, Tube, 1/2 - SST
34-00373-07	Clamp, Tube, 5/8 - SST
34-00373-59	Clamp, Tube, 3/4 - SST
34-00373-11	Clamp, Tube, 7/8 - SST
34-00373-65	Clamp, Tube, 1-1/8 - SST
34-00373-88	Clamp, Tube, 1-1/4 - SST
34-00373-69	Clamp, Tube, 1-3/8 - SST
34-00373-71	Clamp, Tube, 1-1/2 - SST
22-00066-01	Connector, Butt End, Wire Range - 22 to 16 AWG
22-00066-02	Connector, Butt End, Wire Range - 16 to 14 AWG
22-00066-03	Connector, Butt End, Wire Range - 12 to 10 AWG
22-00041-00	Connector, Closed End, Wire Range - 22 to 14 AWG
22-00041-02	Connector, Closed End, Wire Range - 18 to 10 AWG
66U1-7472-1	Filter-Drier
22-02336-02	Fuse, 5 Amp (F1 & F2)
22-02336-08	Fuse, 7.5 Amp (F3A & F3B)
22-01140-01	Ring Terminal, #6, Wire Range - 12 to 10 AWG
22-01140-02	Ring Terminal, #10, Wire Range - 12 to 10 AWG
22-01140-04	Ring Terminal, 3/8, Wire Range - 12 to 10 AWG
22-00119-04	Ring Terminal, 1/4, Wire Range - 12 to 10 AWG
22-00120-04	Ring Terminal, #10, Wire Range - 16 to 14 AWG
22-00120-07	Ring Terminal, 5/16, Wire Range - 16 to 14 AWG
22-00121-07	Ring Terminal, #10, Wire Range - 22 to 16 AWG
22-01139-04	Ring Terminal, 3/8, Wire Range - 16 to 14 AWG
22-01141-01	Spade Terminal, 1/4 x 5/16, Wire Range - 16 to 14 AWG
22-00595-01	Spade Terminal, 3/8, Wire Range - 12 to 10 AWG
22-01106-00	Spiral Wrap, 1/4 Diameter x 25 ft. lg.
22-01107-00	Spiral Wrap, 1/2 Diameter x 25 ft. lg.
66U1-3803	Tube, Heat Shrink, 1/4 ID x 2-1/8 lg.
66U1-3803-1	Tube, Heat Shrink, 1/2 ID x 2-3/4 lg.
44-01043-05	Ty-Raps, 5-1/2 inches lg.
44-01043-07	Ty-Raps, 11.00 inches lg.
22-50007 Series	Wire Markers
07-00345-00	Sealant, Pipe (Used to seal fittings on unit with R-134a)
07-00313-00	Cleaner, Coil
76-00397-01	Paint, Compressor Touch-Up, Blue

**2 REFRIGERATION UNIT ASSEMBLY**  
**2.1 REFRIGERATION UNIT - AREA LOCATOR**

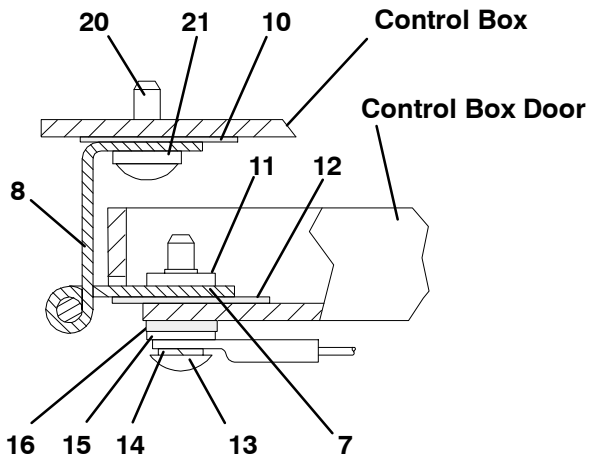
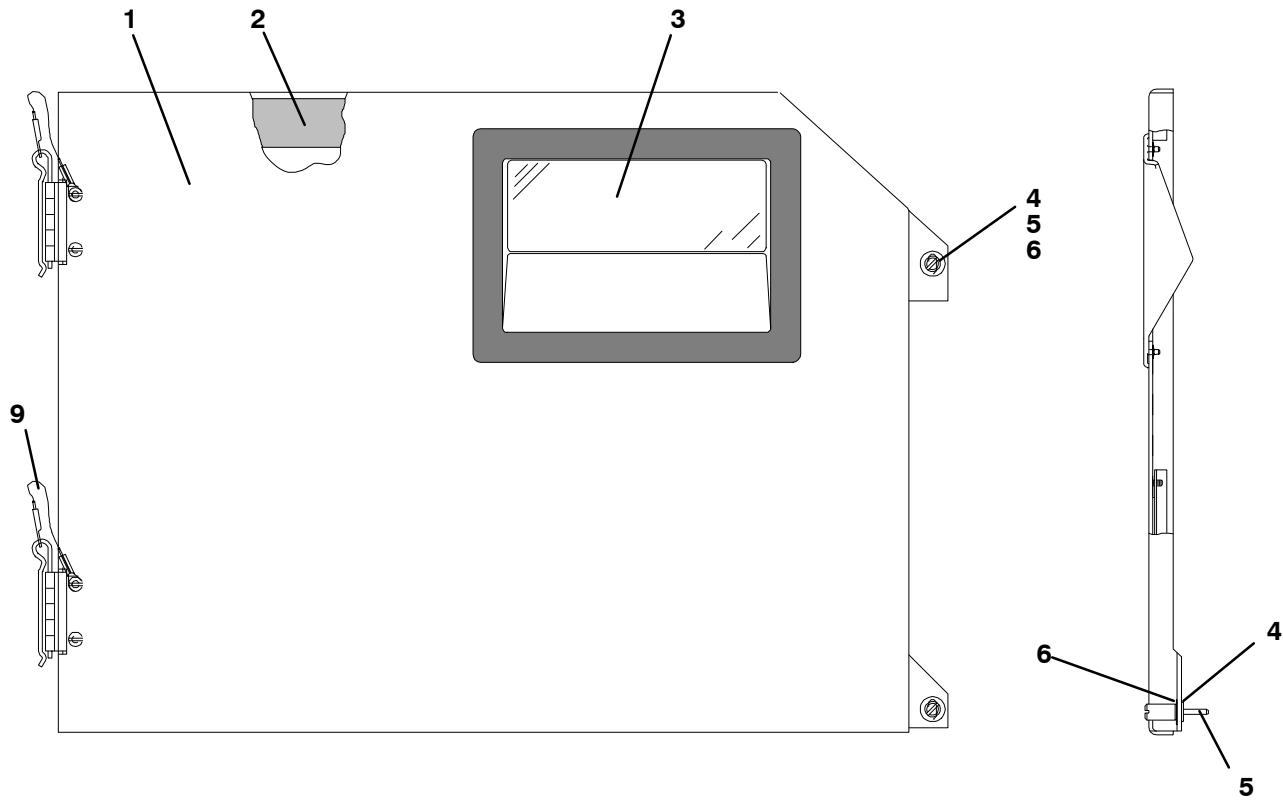


**2.1 REFRIGERATION UNIT - AREA LOCATOR**

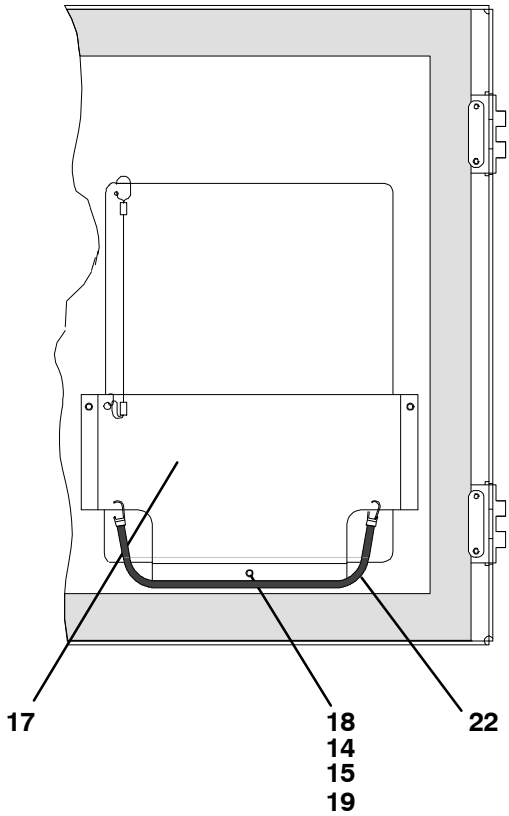
<b>Item</b>	<b>Section Number</b>	<b>Area Description</b>
1	Refer to Section 2.14 - 2.15	Upper Fresh Air Makeup & Access Panels
2	Refer to Section 2.24	Labels and Decals
3	Refer to Section 2.16	Evaporator Fan Assembly
4	Refer to Section 2.7	Motor, Condenser Fan
5	Refer to Section 2.2 - 2.6	Box, Control
6	Refer to Section 2.7	Drain Hose
7	Refer to Section 2.7	Coil, Condenser
8	Refer to Sections 2.19 or 4	Compressor
9	Refer to Section 2.10	Receiver
10	Refer to Section 2.19	Guard, Compressor
11	Refer to Section 2.23	Cable, Power
12	Refer to Section 2.23	Plug, Power
13	Refer to Section 3	Interrogator and Accessories
14	Refer to Section 2.20	Temperature Recorder & Blank-off Plate



**2.2 CONTROL BOX DOOR**



**HINGE ASSEMBLY - SECTIONAL VIEW**

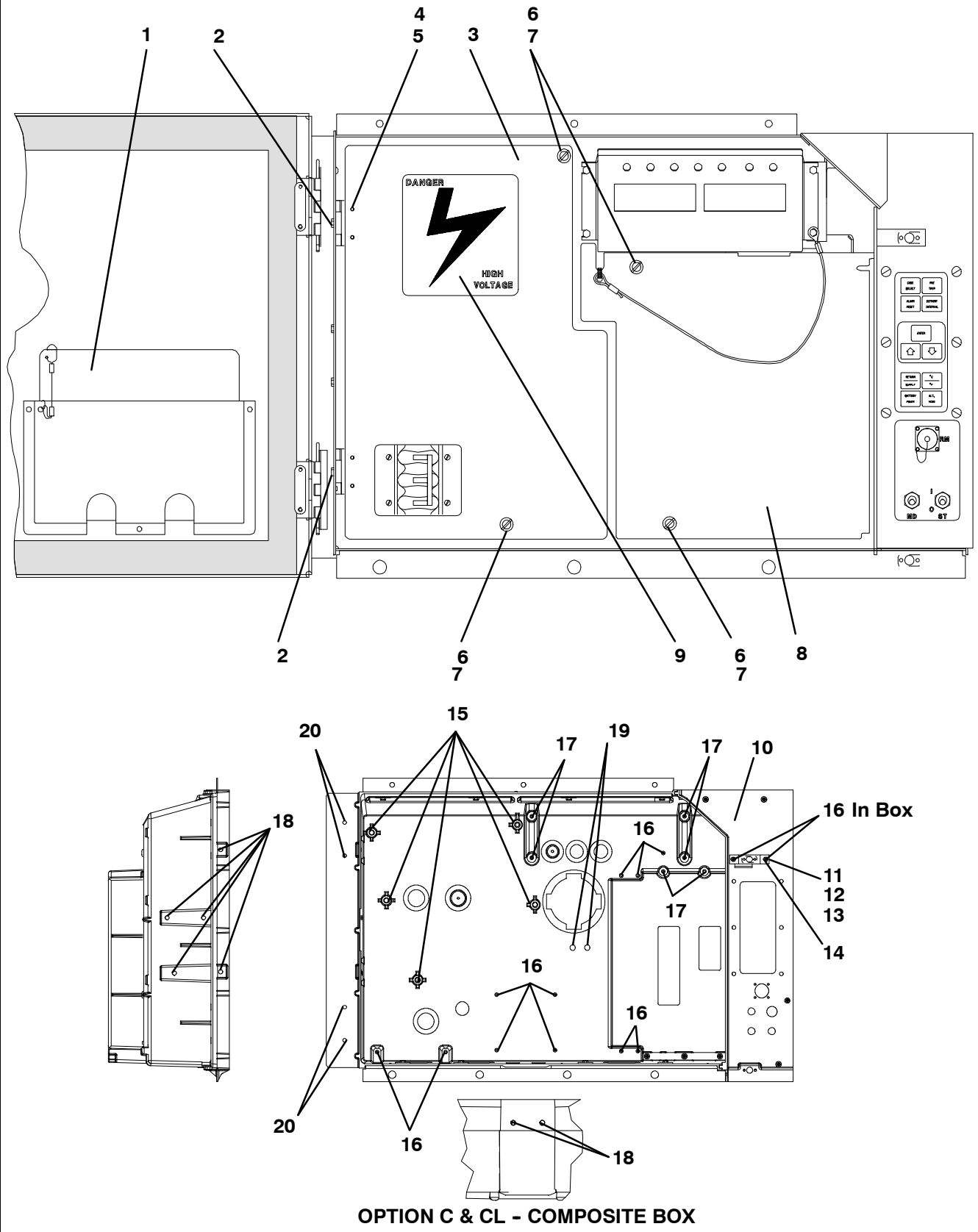


**DOOR ASSEMBLY - PARTIAL BACK VIEW**

**2.2 CONTROL BOX DOOR**

<b>Item</b>	<b>Part Number</b>	<b>Description</b>	<b>Qty</b>
1	69NT42-688-7	Door Assembly - Includes:	1
2	42-00270-02	Gasket, Door	1
3	58-04366-00SV	Window and Gasket Assembly, Control Box Door - Lexan	1
4	34-06169-00	Washer, Retaining - SST	2
5	66U1-6811-8	Screw, Retaining, Panel, 0.300-0.625 - SST	2
5	66U1-6811-15	Screw, Retaining, Wing, 0.300-0.625 - SST	2
6	34-06053-00	Washer, Mylar, 0.250 ID x 0.800 OD	4
7	44-00300-01	Hinge, Half	1
8	44-00300-02	Hinge, Half	1
9	44-00300-03	Pin Assembly, with Tether	1
10	58-04101-01	Protector, Mylar (Hinge) (Not Needed with Composite Box)	2
11	34-01167-01	Retainer, Nut	2
12	58-04101-00	Protector, Mylar (Hinge)	2
13	66U1-2403-1	Screw, Truss Head, #10-24 x 3/4 lg. - SST	4
14	34-00663-09	Washer, Lock, #10 - SST	4
15	66U1-5321-8	Washer, Flat, #10 - SST	4
16	34-06053-05	Washer, Mylar, 0.205 ID x 0.600 OD	4
17	68-13577-00	Pocket, Placard	1
18	34-00665-09	Locknut, Hex Head, #10-24 - SST	3
19	34-06107-00	Rivet, Blind, 1/8 Diameter, Grip Range - 0.188-0.250	3
20	66U1-5371-7	Screw, #10-24 x 1/2 lg. - SST	4
21	66U1-5321-8	Washer, Flat, #10 - SST	4
22	58-04346-00	Door Strap Kit	1

## 2.3 CONTROL BOX



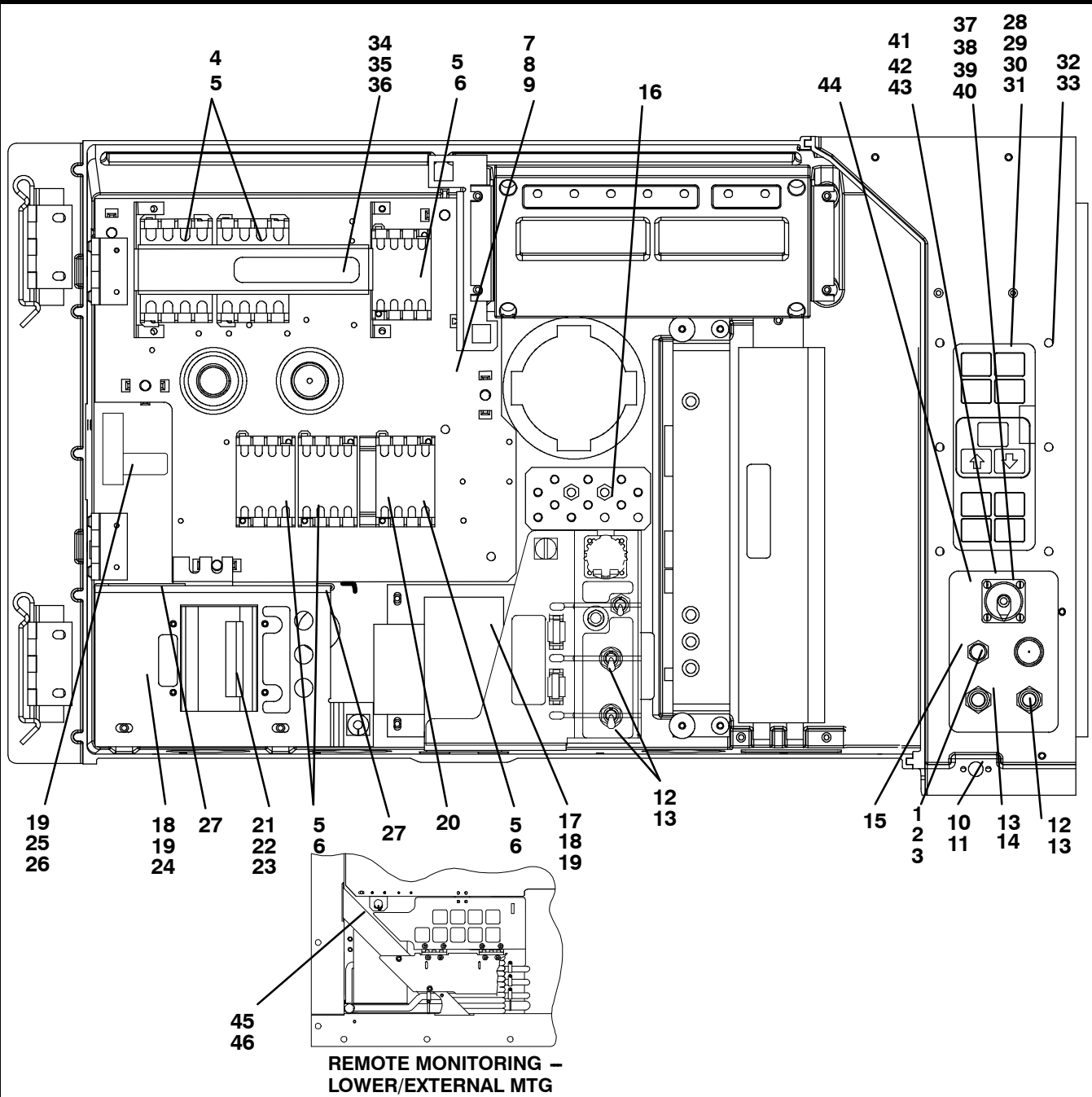
**2.3 CONTROL BOX (Continued)**

Item	Part Number	Description	Qty
1	-	Plate, Schematic & Diagram <b>(Refer to T-300, Container Unit Matrix)</b>	1
2	66U1-2403	Screw, Truss Head, #10-24 x 1/2 lg. - SST	2
3	69NT43-125-1	Shield, High Voltage (Plastic) - Includes:	1
4	44-00343-00	Hinge	2
5	34-00928-02	Rivet, Blind, 1/8 Diameter, Grip Range - 1/8-3/16 - SST	4
6	34-50015-00	Stud & Retainer Package - Includes:	4
NS	NSS	Stud, Fastener	1
NS	NSS	Retainer, Fastener Stud	1
7	34-06139-03	Receptacle	4
8	69NT43-124-4	Shield, Low Voltage (Lexan) - With Tether	1
9	62-03957-01	Label, Danger-High Voltage	1
10	58-04668-00	Control Box, Standard Composite	1
11	69NT35-6272	Bracket, Non-Locking	1
	69NT35-2287	Bracket, Locking <b>(See Note 1)</b>	1
12	34-01142-01	Receptacle, Retaining	1
13	34-00928-01	Rivet, Blind, 1/8 Diameter, Grip Range - 1/16 - 1/8	2
	34-00928-02	Rivet, Blind, 1/8 Diameter, Grip Range - 1/18 - 3/16 <b>(See Note 2)</b>	2
14	66U1-2403	Screw, Truss Head, #10-24 x 1/2 lg. - SST	2
NS	76-00724-00SV	Crack, Chip and Hole Repair Kit	1
NS	76-50084-00SV	Insert Repair Kit - Includes:	1
15	34-06231-01	Insert - 17.53 x 9.91 mm (.690 x 0.390 in) 1/4-20 Threads - <b>NSS</b>	10
16	34-06231-03	Insert - 15.88 x 6.35 mm (.625 x 0.250 in) 10-24 Threads - <b>NSS</b>	10
17	34-06231-04	Insert - 25.15 x 7.54 mm (.990 x 0.297 in) 10-24 Threads - <b>NSS</b>	10
18	34-06231-05	Insert - 10.16 x 9.53 mm (.400 x 0.375 in) 10-24 Threads - <b>NSS</b>	10
19	34-06231-06	Insert - 12.70 x 9.91 mm (.500 x 0.390 in) 1/4-20 Threads - <b>NSS</b>	10
20	34-06231-07	Insert - 9.53 x 6.76 mm (.375 x 0.266 in) 10-24Threads - <b>NSS</b>	10
NS	02-00082-00	Durabond Epoxy - <b>NSS</b>	1
NS	07-00390-00	Static Mixing Tube - <b>NSS</b>	1
NS	07-00391-00	Application Gun - Required for Insert Repair	1

**NOTES**

1. The bracket is bolted to the control box - order 69NT35-2287 for locking bracket.
2. When 69NT35-2287 is used, 34-00928-02, rivet, is to be used in the upper door location.

**2.4 CONTROL BOX - SHIELDS REMOVED, STD ELECTRICAL COMPONENTS, RM , CFS**



**OPTION F - CONDENSER FAN SWITCH**

Item	Part Number	Description	Qty
1	10-00298-01	Switch, Toggle (CFS)	1
2	66U1-9752	Seal, Bushing	1
3	58-04145-06	Plate, Switch (with extra switch location)	1

**OPTION 1 - NORMAL EVAPORATOR FAN OPERATION**

See Items 5 and 6 for correct contactor placement

4	10-00431-07	Contactor, Compressor (CH) (30 Amp)	2
5	34-06243-00	Screw, Hex Head w/ Washer, #8-32 x 5/8 lg. - SST	12
6	10-00431-06	Contactors, (CF), (HR) & (EF & ES) (12 Amp)	4
7	68-13427-00SV	Panel, Contactor - Includes:	1
8	58-00967-00	Spacer (Used with sheet metal control box only)	5

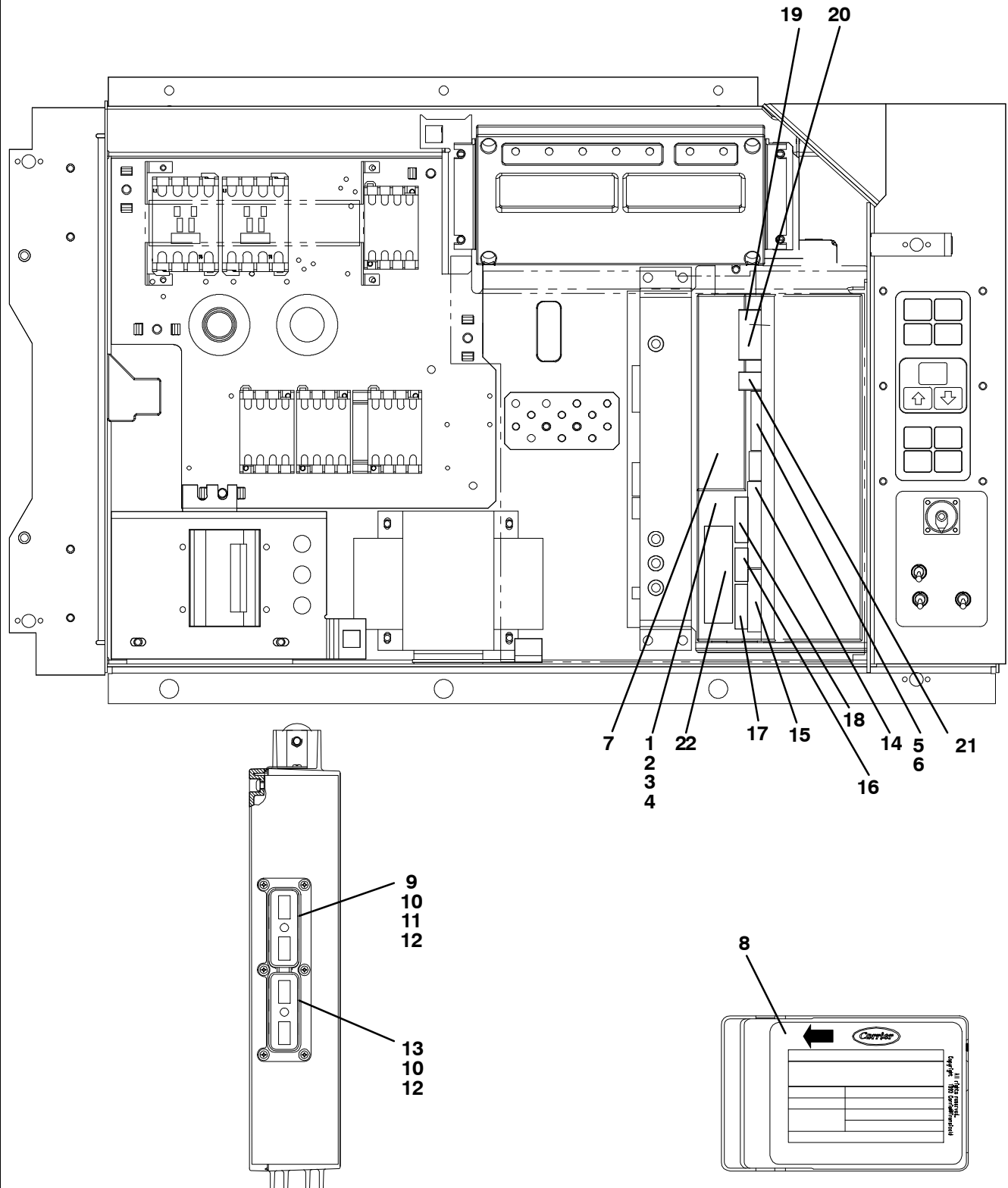
**2.4 CONTROL BOX - SHIELDS REMOVED, STANDARD ELECTRICAL COMPONENTS (Continued)**

Item	Part Number	Description	Qty
9	34-06224-01	Screw, Hex Head, Captive Washer 1/4-20 x 0.62 lg. - SST	4
10	34-00928-01	Rivet, Blind, 1/8 Diameter, Grip Range - 1/16 - 1/8	6
11	34-01142-01	Receptacle	1
12	10-01129-07	Switch, Toggle <b>(On-Off)</b>	1
13	66U1-9752	Seal, Bushing	2
14	10-01129-10	Switch, Toggle <b>(MDS)</b> (if equipped)	1
15	58-04145-01	Plate, Switch	1
16	69NT41-982-3	Plate, Ground	1
17	10-00332-21SV	Transformer, Base Unit	1
18	66U1-5371-7	Screw, Hex Head, #10-24 x 1/2 lg. - SST	A/R
19	66U1-5321-8	Washer, Flat, #10 - SST	A/R
20	10-00431-02	Contact, Auxiliary	1
21	34-00663-07	Washer, Lock, #6 - SST	4
22	66U1-7842-13	Circuit Breaker - 460 vac, 25 Amp, <b>(CB1)</b>	1
23	66U1-6651-4	Screw, Pan Head, #6-32 x 3/8 lg. - SST	4
24	69NT35-6278	Bracket, Circuit Breaker	1
25	10-00439-01	Transformer, Current Sensing <b>(CS)</b>	1
26	34-06223-00	Screw, Captive Washer, #10-24 x 0.56 lg. - SST	2
27	66CH1-1172-46	Trim, Flexible (85 Feet Long, Cut to Length)	A/R
28	79-01706-05SV	Pad, Key - Includes:	1
29	<b>NSS</b>	Gasket (Between Key Pad Plate Assembly and Connector)	1
30	<b>NSS</b>	Gasket (Between Key Pad and Key Pad Plate Assembly)	1
31	<b>NSS</b>	Plate Assembly, Key Pad Mounting	1
32	34-66629-05	Screw, Pan Head, #10-24 X 3/4 lg. - SST	6
33	34-06212-10	Washer, Plain, #10	6
NS	<b>NSS</b>	Dot, Indicator (Green) See NOTE below	6
34	58-04260-00	Cover, Clear	1
35	66U1-5391-2	Screw, Pan Head (Thread Cutting), #8-32 x 1/2 lg. - SST	4
36	34-00662-08	Washer, Plain, #8	4
<b>REMOTE MONITORING (STANDARD LOCATION)</b>			
37	22-02341-00	Receptacle, Remote Monitoring <b>(RM)</b>	1
38	22-02368-00	Plug, Remote Monitoring	1
39	22-02341-01	Cap and Tether, Receptacle Assembly	1
40	66U1-6835	Gasket, Remote Monitoring Receptacle	1
41	34-00848-10	Screw, Round Head, #4-40 x 5/8 lg. - SST	4
42	66U1-5321-6	Washer, Flat, 0.125 ID - SST	4
43	34-00667-05	Nut, Self Locking, #4-40 - SST	4
44	58-04145-00	Plate, Switch, with RM	1
<b>REMOTE MONITORING (LOWER LEFT/EXTERNAL LOCATION)</b>			
45	22-01889-00	Receptacle, Remote Monitoring <b>(RM)</b>	1
46	69NT40-222	Bracket	1

**NOTE**

Install dot if unit is not already fitted with a green indicator dot (Item 32) on the upper right corner of the control box door.

**2.5 CONTROL BOX - CONTROLLER MODULE SECTION AND SOFTWARE CARDS**



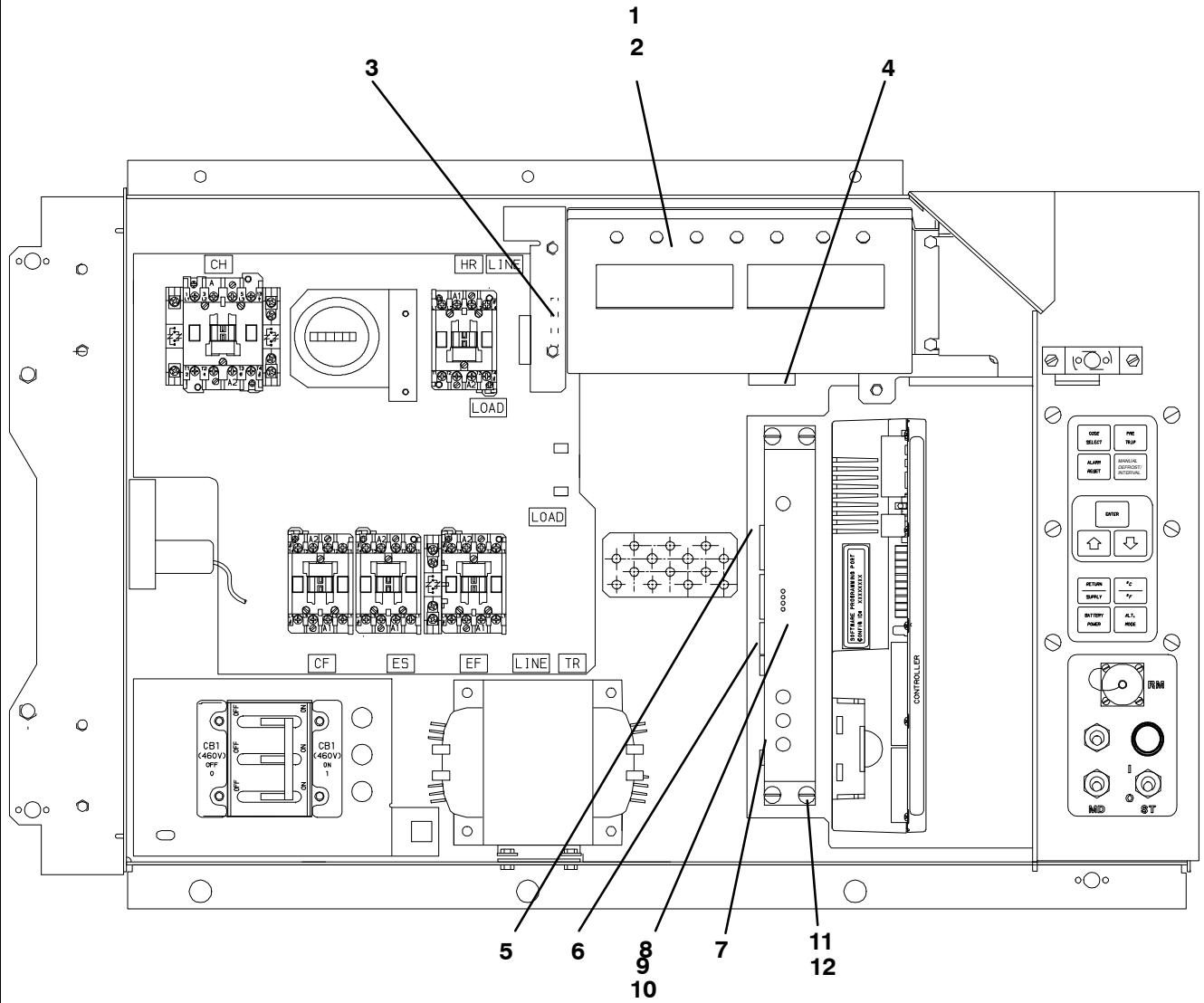
**View - Back of Controller/DataCORDER**

**2.5 CONTROL BOX - CONTROLLER MODULE SECTION AND SOFTWARE CARDS (Continued)**

Item	Part Number	Description	Qty
1	-	Module, Controller/DataCORDER - <b>Refer to Section 5</b> - Includes:	-
2	66U1-5371-7	Screw, Hex Head, #10-24 x 1/2 lg. - SST	1
3	69NT35-2692	Washer, Fender, 0.063 Thick - SST	1
4	58-01184-00	Retainer, Screw, 0.141 ID	1
5	22-02336-08	Fuse, 7.5 Amp (F3A & F3B)	2
6	22-02336-02	Fuse, 5 Amp (F1 & F2)	2
7	62-02719-00	Label, Controller/DataCORDER Port	1
8	12-00594-xx/5315	Card, Controller/DataCORDER Operation Software	1
9	22-01777-00SV	Connector (EC A-K) - 30 Pin	1
10	22-01777-03	Socket, 20 AWG	35
11	22-50100-00	Socket, 18 AWG	4
12	22-01777-04	Plug, Sealing	21
13	22-01777-01SV	Connector (EC L-Y) - 30 Pin	1
14	22-01556-02	Connector (KA) - 14 Pin	1
15	22-01556-01	Connector (KB) - 10 Pin	1
NS	22-01621-23	Connector (KP) - 9 Pin (Connects to Ribbon Cable)	1
16	22-4031-00	Connector (KD) - 4 Pin	1
17	22-4031-01	Connector (KE) - 5 Pin	1
18	22-4031-02	Connector (KC) - 6 Pin	1
19	22-01622-01	Connector (MA) - 12 Pin	1
20	22-01622-02	Connector (MB) - 16 Pin	1
21	22-01622-00	Connector (MC) - 8 Pin	1
NS	09-00369-00SV	Battery, Real Time Clock, (Within the Controller)	1
NS	22-50157-00	Wire Harness, Controller to Current Sensing Transformer)	1
NS	22-01713-06	Wire Harness, Display Module to Controller/DataCORDER Module	1
NS	62-02735-00	Label, Warning, Don't use 12-00327 ! -(Located on the control box behind the Controller/DataCORDER module.)	1
NS	62-02738-08	Label, Warning, 53xx Series - (Located on the high & low voltage shields)	1
NS	62-02738-04	Label, Warning, 53xx Series - (Located on the bottom panel of the control box between the Communications Interface module and the switch panel.)	1
<b>OPTION R - RECHARGEABLE BATTERY PACK</b>			
22	30-00407-02SV	Battery Pack - Controller/DataCORDER Module	1



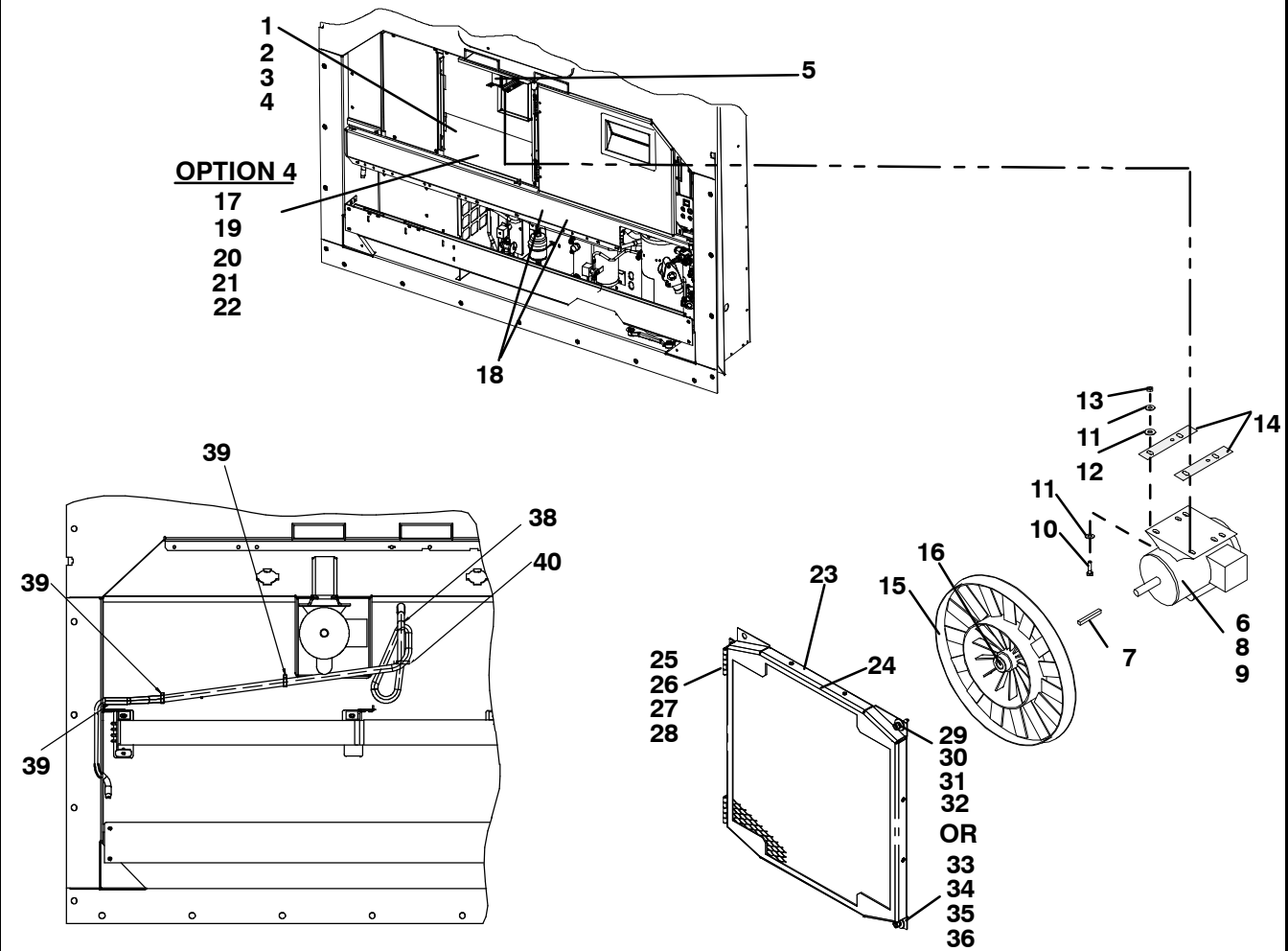
## 2.6 CONTROL BOX - DISPLAY MODULE AND COMMUNICATIONS INTERFACE MODULE SECTION



**2.6 CONTROL BOX - DISPLAY MODULE AND COMMUNICATIONS INTERFACE MODULE SECTION  
(Continued)**

<b>Item</b>	<b>Part Number</b>	<b>Description</b>	<b>Qty</b>
1	12-00433-00RP	Module, LCD Display (Option 1)	1
	12-00433-02 RP	Module, LED Display (Option 2)	1
2	34-06223-01	Screw, Hex Head, #10-24 x 1/2 lg. - SST	4
3	22-01621-03	Connector (MK) - 9 Pin	1
4	22-01556-06	Connector (MB) - 16 Pin	1
5	22-01556-04	Connector (CIC) - 7 Pin	1
6	22-02396-02	Connector (CIB) - 3 Pin	1
7	22-01556-00	Connector (CIA) - 7 Pin	1
NS	22-01713-02	Wire Harness, Key Pad to Display Module	1
<b>OPTION 2 - COMMUNICATIONS INTERFACE MODULE - HIGH DATA RATE</b>			
8	12-00573-00SV	Module, Communications Interface - Includes:	1
9	66U1-3442-2	Stud, Fastener, 1/4 turn, 0.705 lg. - SST	4
10	66U1-9212-1	Retainer, Push-on	4
11	34-06223-00	Screw, Captive Washer #10-24 x 0.56 - SST	2
12	58-01184-01	Retainer, Screw 0.75 OD	2
<b>OPTION 4 - COMMUNICATIONS INTERFACE MODULE - LOW DATA RATE</b>			
8	12-00275-19SV	Module, Communications Interface - Includes:	1
9	66U1-3442-2	Stud, Fastener, 1/4 turn, 0.705 lg. - SST	4
10	66U1-9212-1	Retainer, Push-on	4
11	34-06223-00	Screw, Captive Washer #10-24 x 0.56 - SST	4
12	58-01184-00	Retainer, Screw 0.75 OD	4

## 2.7 CONDENSER FAN MOTOR , CONDENSER COIL SECTION AND DRAIN KIT

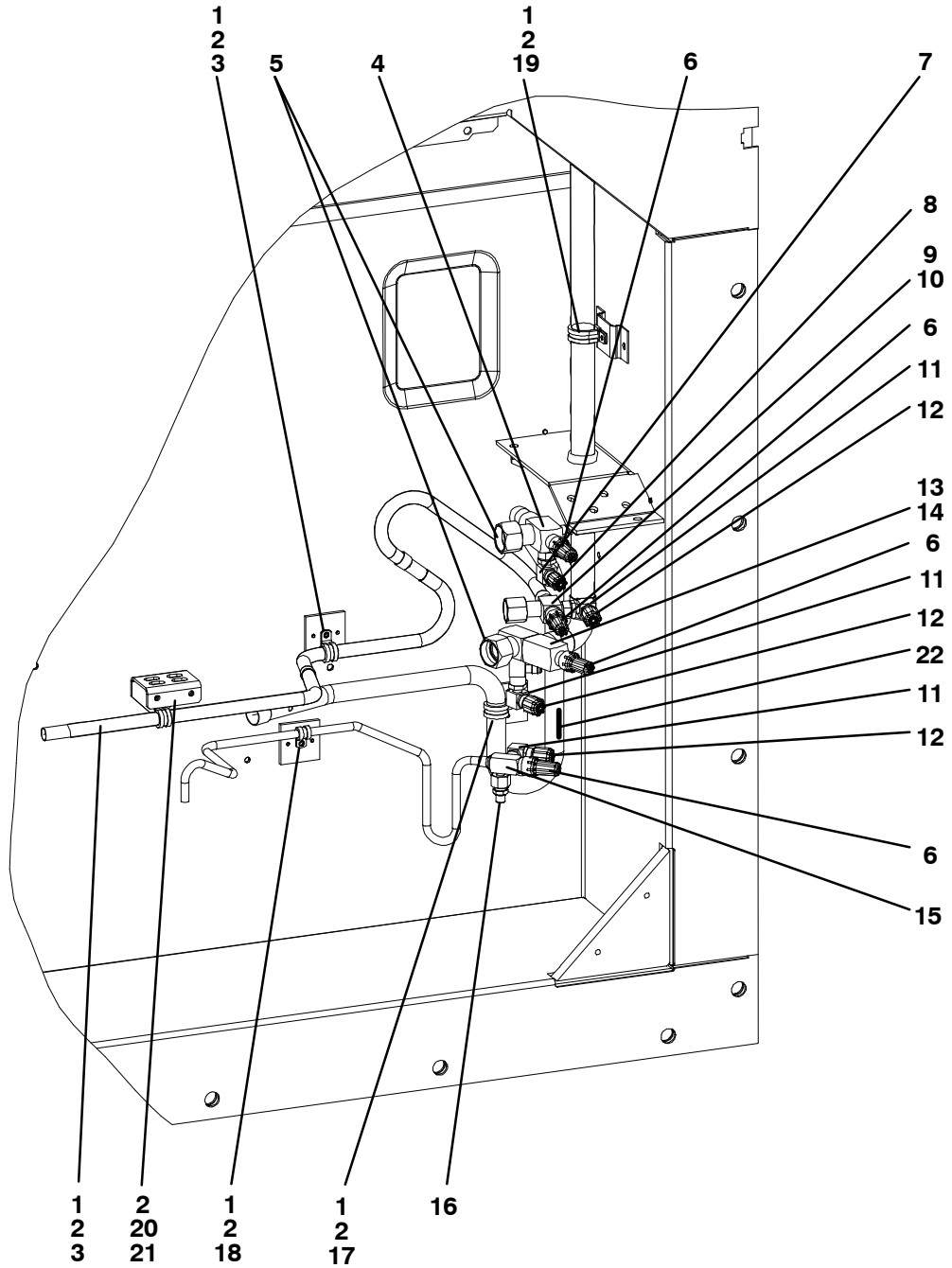


Item	Part Number	Description	Qty
1	66U1-5361-25	Capscrew, Hex Head, 1/4-20 x 3/4 lg. - SST	10
2	66U1-5321-7	Washer, Flat, 1/4 - SST	10
3	34-06053-00	Washer, Mylar, 3/4 OD x 1/4 ID	10
4	34-06053-03	Washer, Mylar, 1.0 OD x 1/4 ID	2
5	68-14085-00	Bracket, Condenser Motor Mount	1
6	54-00586-20	Motor, Condenser Fan - Includes:	1
7	PL	Key, 3/16 Square x 1-3/8 lg. - SST	1
8	04-50027-00	Bearing	2
9	22-50088-02	Capacitor, 15 uF	1
10	66U1-5361	Screw, Hex Head, 5/16-18 x 1-1/4 lg. - SST	4
11	34-01181-01	Washer, Flat, 5/16 - SST	8
12	34-06053-02	Washer, Mylar, 1.0 OD x 3/8 ID	4
13	34-00667-12	Locknut, 5/16-18 - SST	4
14	69NT35-6112	Protector, Condenser Fan Motor Mounting	2
15	38-00503-00	Fan, Condenser ( <b>17-1/2 diameter</b> ) - <b>Composite</b> - Includes:	1
16	PL	Set Screw, Square Head, 5/16-24 x 5/8 lg. - SST	2

**2.7 CONDENSER FAN MOTOR AND CONDENSER COIL SECTION (Continued)**

Item	Part Number	Description	Qty
<b>OPTION 4 -FOUR ROW (7MM) CONDENSER COIL</b>			
17	68-13432-02SV	Cover, Condenser Coil, White Includes:	1
18	58-04481-00	Plug (for use with coated handle or units with no center handle)	2
19	81-01855-00SV	Coil, Condenser(Copper) - 7MM 4 Row - Includes Mylar Washers	1
20	69NT35-8693-8	Protector (Apply between frame and coil & coil cover)	4
21	69NT35-8693-9	Protector (Apply between frame and coil & coil cover)	2
22	58-04026-41	Protector, Mylar (Apply between coil & coil cover, RH & LH sides)	2
<b>OPTION H - HINGED CONDENSER FAN GRILLE</b>			
23	76-00704-01	Grille and Venturi Assembly - Includes:	1
24	66U1-8912	Label, Rotation	1
25	76-50075-00	Hinge Kit - Includes:	1
26	44-00374-00	Hinge	2
27	58-04101-07	Protector, Mylar	4
28	34-06179-00	Screw, Hex Head, #10-24 x 7/16 lg. - SST	8
29	66U1-6811-8	Screw, Retaining - SST	2
	66U1-6811-12	Screw, Retaining (Phillips Head) - SST	2
30	34-06169-00	Washer, Retaining - SST	2
31	34-06053-03	Washer, Mylar, 1/4ID x 1.00OD	2
32	69NT35-2692-1	Washer, Fender 1/4 - SST	2
<b>OPTION B - BOLTED CONDENSER FAN GRILLE</b>			
23	76-00704-01	Grille and Venturi Assembly - Includes:	1
24	66U1-8912	Label, Rotation	1
33	69NT35-2692-1	Washer, Fender 1/4 - SST	4
34	34-06053-03	Washer, Mylar, 1/4ID x 1.00OD	4
35	34-00663-11	Washer, Lock, 1/4 - SST	4
36	66U1-5361-25	Capscrew, Hex Head, 1/4-20 x 3/4 lg. - SST	4
<b>DRAIN KIT</b>			
37	77-00990-00	Drain Kit Includes:	1
38	58-04539-06	Flex Tube	1
39	66U1-3882	Wire Tie	4
40	66U1-3882-3	Wire Tie	4

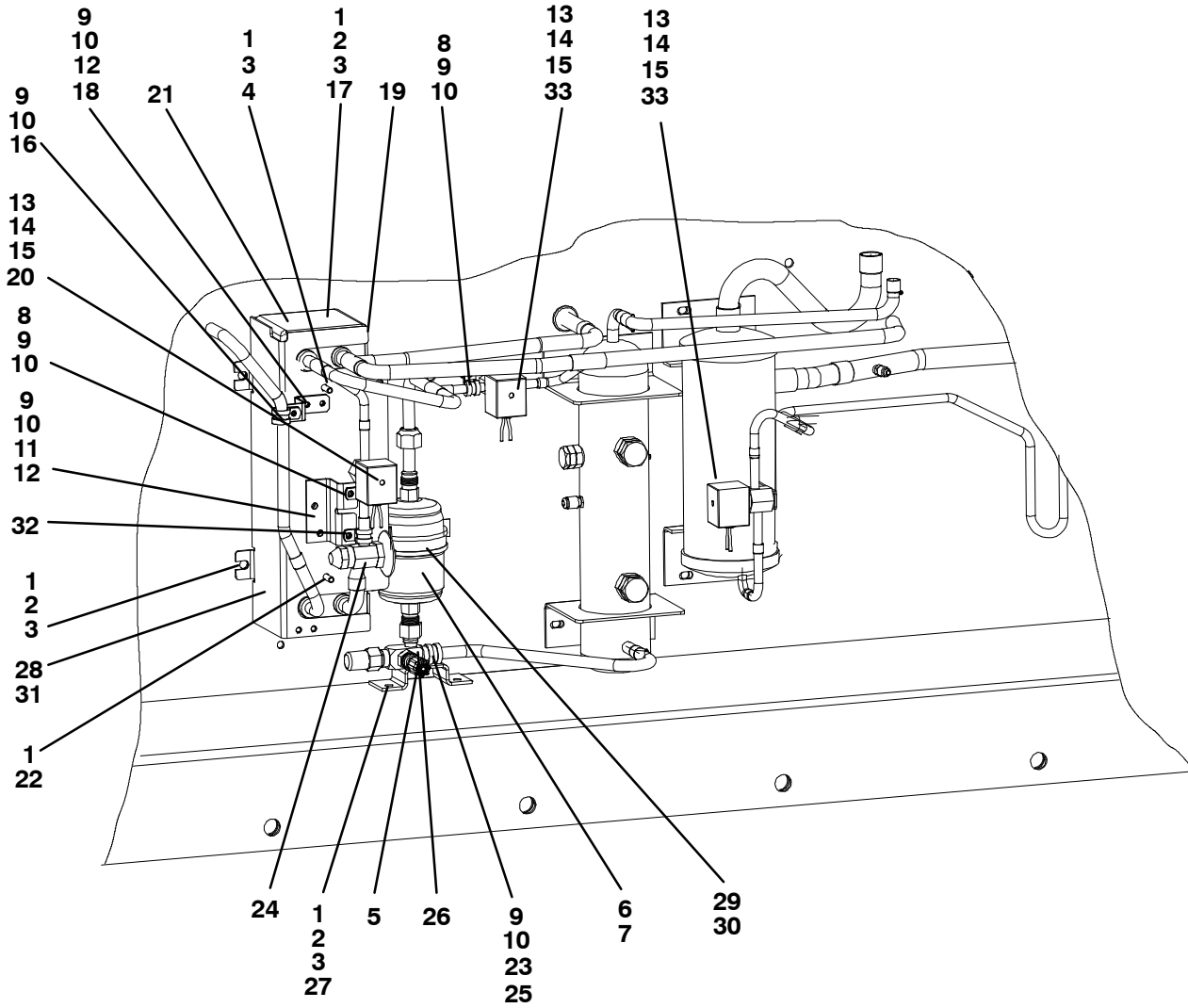
## 2.8 COMPRESSOR TUBING SECTION



**2.8 COMPRESSOR TUBING SECTION (Continued)**

<b>Item</b>	<b>Part Number</b>	<b>Description</b>	<b>Qty</b>
1	66U1-5371-7	Screw, Hex Head, #10-24 x 0.50 lg. - SST	5
2	34-06053-05	Washer, Mylar, 0.25 ID x 0.80 OD	6
3	34-00373-07	Clamp, Cushion, 0.62 Diameter	2
4	40-00583-00	Valve, Service 7/8 ID	1
5	42-00384-02	Seal 1 1/4-12 <b>(See Section 4)</b>	2
6	40-50025-00	Cap, Service Valve	4
7	40-00542-01	Elbow, Adapter, High Pressure, R134a - Brass	1
8	40-00520-03	Cap, M10 x 1.0 - Nylon	1
9	40-00583-01	Valve, Service 5/8 ID	1
10	42-00384-01	Seal 1-14 <b>(See Section 4)</b>	1
11	40-00542-00	Elbow, Adapter, Low Pressure, R134a - Brass	3
12	40-00520-02	Cap, M8 x 1.0 - Nylon	3
13	40-00622-00	Valve, Service 1 1/8 ID Includes:	1
14	14-00176-04	Strainer	1
15	40-00585-00	Valve, Service 3/8 ID	1
16	40-00586-00	Coupling, Oil Return	1
17	66U1-3632-20	Clamp, Cushion, 0.88 Diameter	1
18	34-00373-53	Clamp, Cushion, 0.38 Diameter	1
19	44-00370-08	Clamp, Cushion, 1.125 Diameter	1
20	68-14142-00	Bracket	1
21	66U1-5321-8	Washer, #10 - SST	1
<b>REFRIGERATION TEMPERATURE SENSORS</b>			
22	12-00493-08	Sensor, Thermistor <b>(CPDS)</b>	1
-	-	Sensor, Thermistor <b>(CPSS) See Section 2.17</b>	1

**2.9 ECONOMIZER, ECONOMIZER EXPANSION VALVE, ECONOMIZER SOLENOID VALVE,  
LIQUID INJECTION VALVE AND FILTER DRIER SECTION**

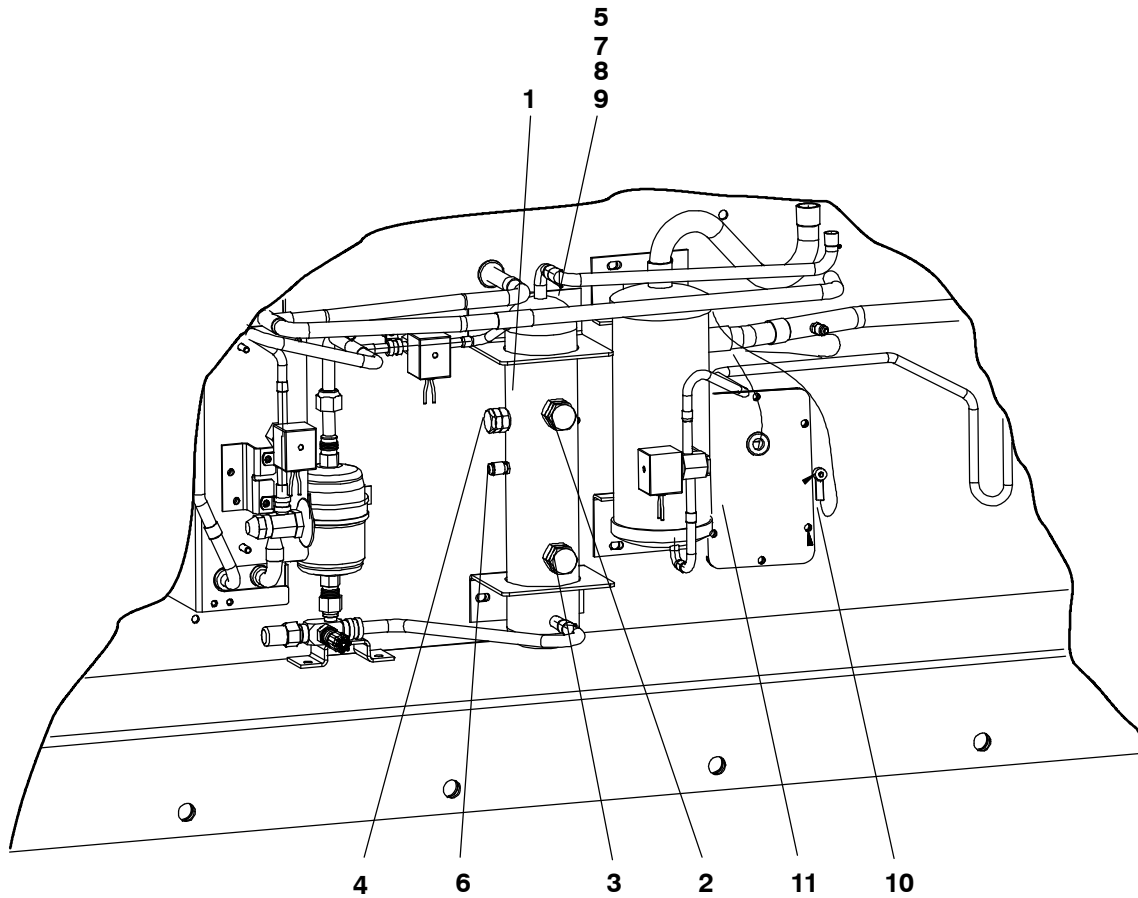


**2.9 ECONOMIZER, ECONOMIZER EXPANSION VALVE, ECONOMIZER SOLENOID VALVE AND FILTER DRIER SECTION (Continued)**

<b>Item</b>	<b>Part Number</b>	<b>Description</b>	<b>Qty</b>
1	34-06053-00	Washer, Mylar, 0.250 ID x 0.800 OD	12
2	66U1-5361-25	Screw, Hex Head, 1/4-20 x 0.75 lg. - SST	9
3	66U1-5321-7	Washer, Flat, 1/4 - SST	10
4	34-00667-11	Nut, Self-Lock	2
5	40-00520-01	Coupling with Cap	1
6	14-00311-00	Filter-Drier - Includes:	1
7	14-00284-20SV	O-Ring	2
8	34-00373-54	Clamp, Cushion, 0.38 Diameter	2
9	34-06053-05	Washer, Mylar, 0.205 ID x 0.60 OD	10
10	66U1-5371-7	Screw, Machine, Hex Head, #10-24 x 0.50 lg. - SST	9
11	68-14278-00	Bracket	1
12	66U1-5321-8	Washer, Plain #10 - SST	4
13	66U2-1132-2	Connector	4
14	66U1-3803	Heat Shrink	4
15	14-01091-01	Coil, Solenoid Valve (Liquid Injection and Economizer)	2
16	34-00370-03	Clamp, Cushion, 0.50 Diameter	1
17	68-14268-00	Bracket	1
18	68-14413-00	Bracket	1
19	42-00389-00	Insulation, Economizer	1
20	14-01090-12	Solenoid Valve Body	1
21	81-01539-12	Economizer	1
22	69NT41-782	Bushing	2
23	69NT35-2692-4	Washer, Fender #10 - SST	1
24	14-00232-08	Expansion Valve	1
25	34-00373-07	Clamp, Cushion, 0.62 Diameter	1
26	14-00222-01	Valve, King	1
27	68-14450-00	Bracket	1
28	42-00390-00	Insulation, Economizer	1
29	69NP20-1031	Clamp, Filter-Drier - Includes:	1
30	58-50014-00	Gasket (16 ft., Cut to length)	1
31	68-14269-00	Cover	1
32	34-00373-54	Clamp, Cushion, 0.44 Diameter	1
33	14-00285-00	Valve, Liquid Injection Solenoid	1

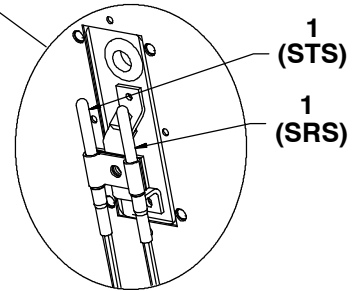
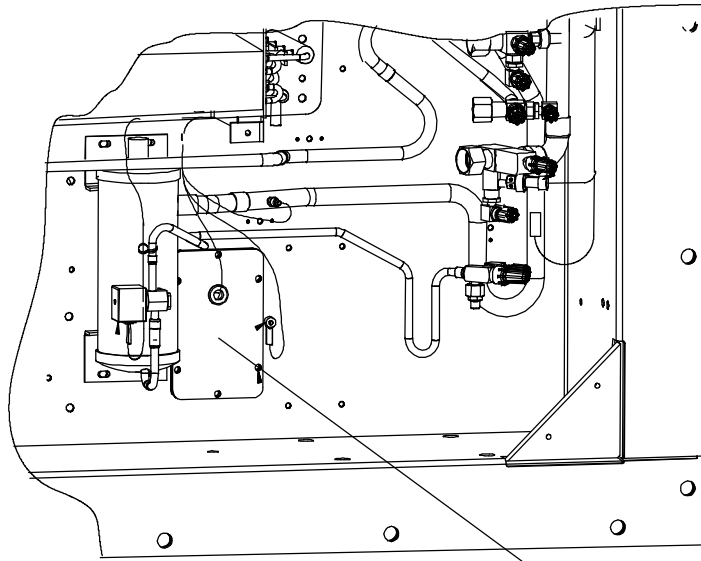


## 2.10 RECEIVER SECTION



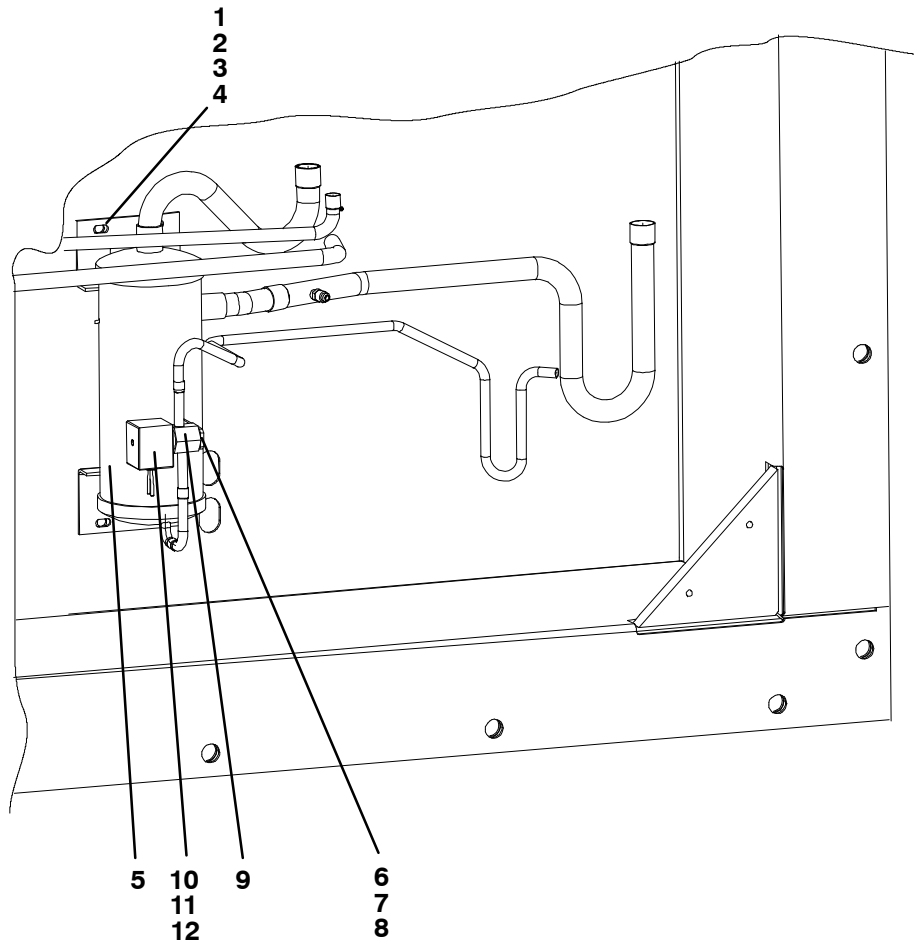
Item	Part Number	Description	Qty
1	79-01785-00	Receiver Assembly - Includes:	1
2	14-00220-01	Glass, Sight	1
3	14-00221-01	Indicator, Moisture-Liquid	1
4	14-01032-14	Plug, Fusible, 3/8 NPT - Brass	1
5	58-04026-51	Protector, Mylar	1
6	EC39DM062	Valve, Schrader	1
7	66U1-5361-25	Screw, Hex Head, 1/4-20 x 3/4 lg. - SST	4
8	66U1-5321-7	Washer, Flat, 1/4 - SST	4
9	34-06053-00	Washer, Mylar	4
10	12-00495-02SV	Sensor, Ambient Thermistor ( <b>AMBS</b> )	1
11	-	<b>See Section 2.11 for Sensor Assembly and Related Parts</b>	-

**2.11 SRS AND STS SECTION**



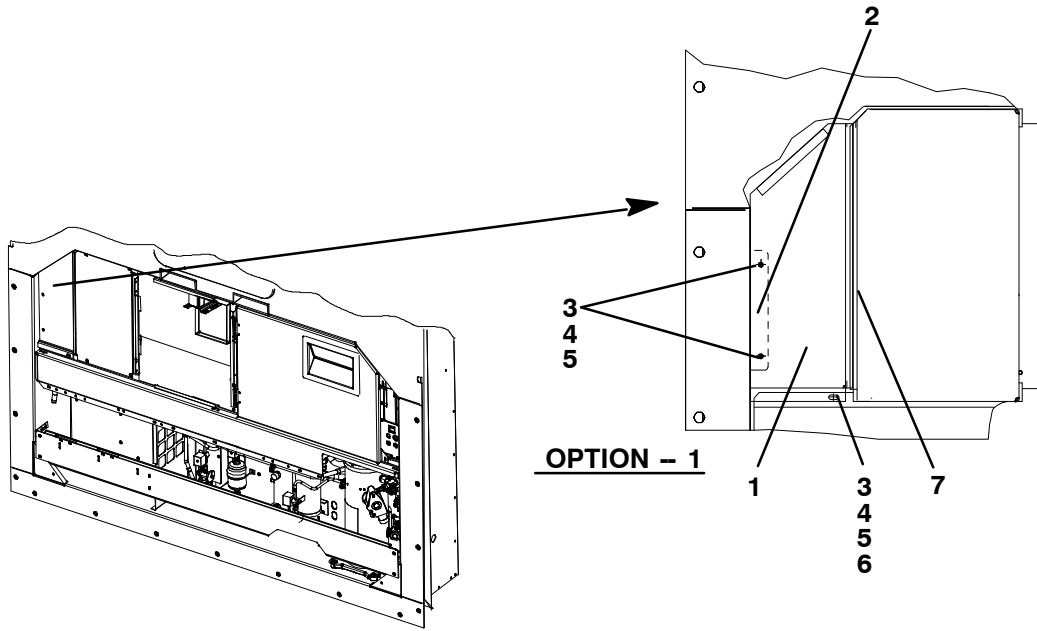
Item	Part Number	Description	Qty
1	12-00395-01SV	Sensor Assembly (STS or SRS)	2

## 2.12 OIL SEPARATOR SECTION



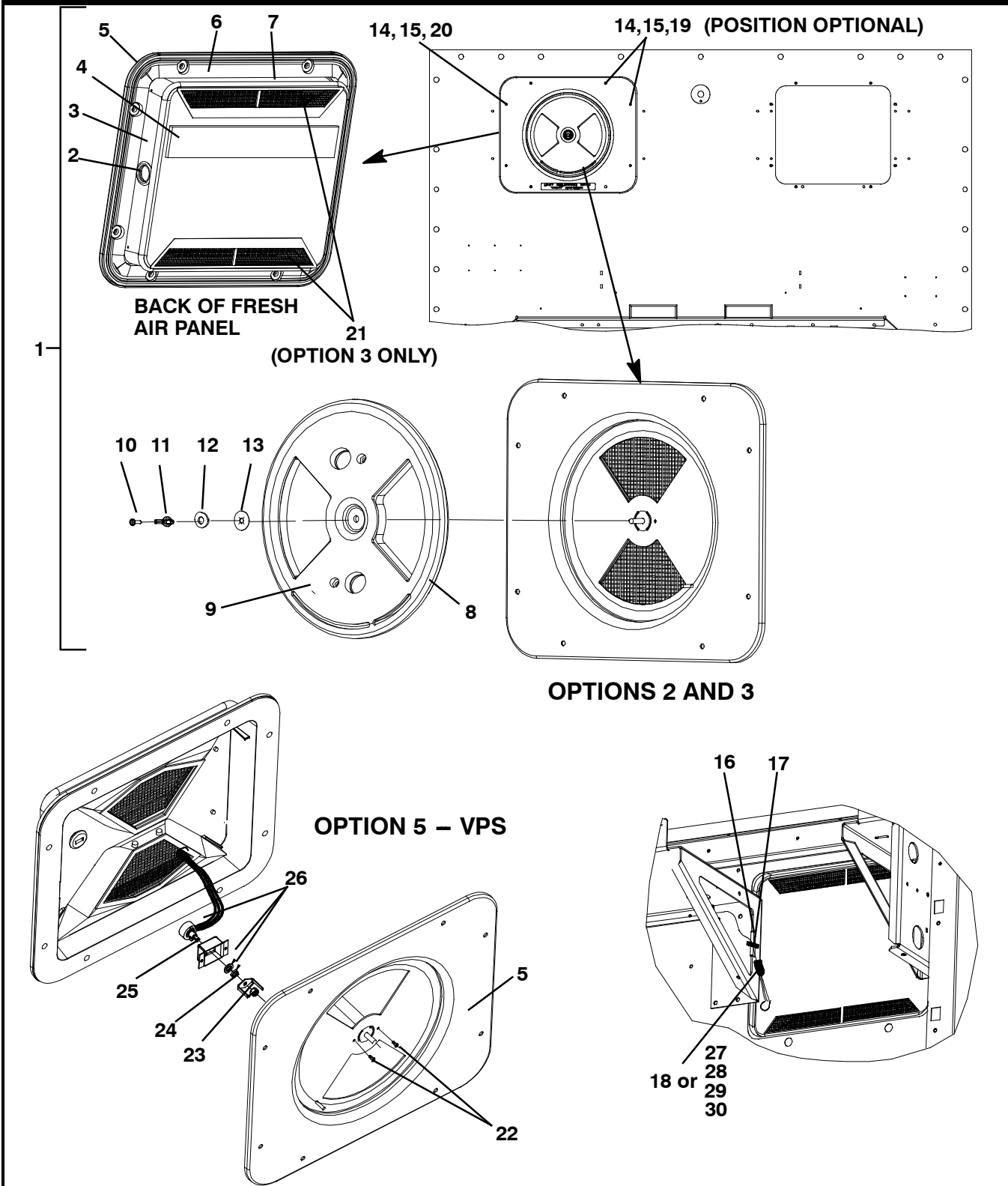
Item	Part Number	Description	Qty
1	34-06053-00	Washer, Mylar, 0.250 ID x 0.800 OD	4
2	66U1-5361-25	Screw, Hex Head, 1/4-20 x 0.75 lg. - SST	4
3	66U1-5321-7	Washer, Flat, 1/4 - SST	4
4	58-04026-34	Protector, Mylar	2
5	65-00184-20	Oil Separator	1
6	66U1-5371	Screw, Machine, Hex Head, #8-32 x 0.50 lg. - SST	2
7	66U1-5321-2	Washer, Plain #8 - SST	2
8	66U1-5331-4	Washer, Lock, #8 Spring - SST	2
9	14-00285-00	Solenoid Valve	1
10	66U2-1132-2	Connector	2
11	66U1-3803	Heat Shrink	2
12	14-01091-01	Coil, Solenoid Valve	1

## 2.13 LOWER FRESH AIR MAKE-UP



Item	Part Number	Description	Qty
<b>OPTION 1 - LOWER FRESH AIR (NONE)</b>			
1	69NT35-4047	Panel, Blank	1
2	69NT43-307	Bracket, Panel	1
3	66U1-5361-25	Screw, Hex Head, 1/4-20 x 3/4 lg. - SST	3
4	34-06053-18	Washer, Mylar, 1/4 ID x 1.00 OD	3
5	66U1-5321-3	Washer, Flat, 1/4, Type A- SST	3
6	69NT35-2692-1	Washer, Fender 1/4 - SST	1
7	42-00465-00	Gasket	1

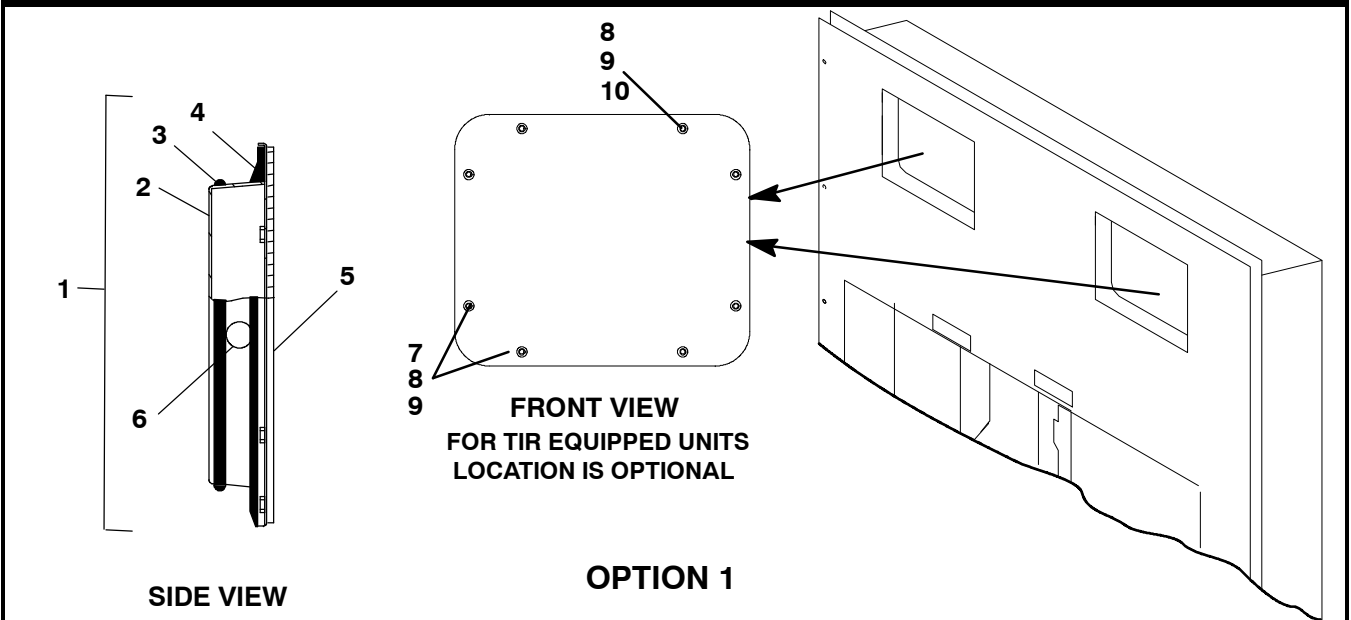
**2.14 UPPER FRESH AIR**



<b>2.14 UPPER FRESH AIR (Continued)</b>			
<b>Item</b>	<b>Part Number</b>	<b>Description</b>	<b>Qty</b>
<b>STANDARD PARTS, OPTIONS 2 AND 3</b>			
1	79-01695-00	Panel Assembly, Access - Includes:	1
2	66U1-5562-2	Plug Button, 1.25 Diameter Hole	1
3	58-04376-03	Panel, Access	1
4	66U1-2552-185	Gasket	1
5	68-12940-00	Cover, Top, Evaporator Access Panel	1
6	42-00296-01	Gasket, Evaporator Access Panel	1
7	42-00327-00	Gasket, 0.26 X 0.50 Half-Round	1
8	42-00407-00	Gasket, 0.50 Fresh Air Disc	1
9	68-12933-00	Disc, 12.35 Diameter	1
10	34-06185-01	Screw, Machined, #8-32 X 0.50 with Nylock	1
11	66U1-5362-2	Nut, Wing, 5/16-18 - SST	1
12	66U1-5321-13	Washer, Plain 5/16 W Type A - SST	1
13	34-06053-19	Washer, Mylar 1.00 OD X 0.312 ID	1
14	34-06053-13	Washer, Mylar, 1/4 ID X 0.80 OD	8
15	34-006212-12	Washer, Flat, 1/4 - SST	8
16	66CH1-1172-2	Trim, Flexible 2.00 Long	1
17	58-00969-00	Wire Tie 2.80 Diameter, Double Loop	1
18	66U1-8292-1	Cap, Insulating 0.125 OD Black	3
<b>OPTION 2 - UPPER FRESH AIR INSTALLED WITH STANDARD FASTENERS</b>			
<b>See Previous Section for Standard Parts and use with Items Below:</b>			
19	34-06154-00	Screw, HXHD, 1/4-20 X 1.00 Long - TIR	2
20	34-00655-08	Screw, HXHD, 1/4-20 X 1.00 Long	6
<b>OPTION 2- UPPER FRESH AIR INSTALLED WITH STAINLESS STEEL FASTENERS</b>			
<b>See Previous Section for Standard Parts and use with Items Below:</b>			
19	34-66627-00	Screw, HXHD, 1/4-20 X 1.00 Long - TIR	2
20	66U1-5361-50	Screw, HXHD, 1/4-20 X 1.00 Long	6
<b>OPTION 3 - UPPER FRESH AIR INSTALLED WITH SCREENS</b>			
<b>See Previous Section for Standard Parts and use with Items Below:</b>			
19	34-06154-00	Screw, HXHD, 1/4-20 X 1.00 Long - TIR	2
20	34-00655-08	Screw, HXHD, 1/4-20 X 1.00 Long	6
21	58-04251-00	Screen, Medfly, USDA, 16 X 16	2

<b>2.14 UPPER FRESH AIR (Continued)</b>			
<b>Item</b>	<b>Part Number</b>	<b>Description</b>	<b>Qty</b>
<b>OPTION 4 - UPPER FRESH AIR INSTALLED WITH VENT POSITIONING SENSOR</b>			
1	79-66626-00	Panel Assembly, Access, White - Includes:	1
	79-66626-01	Panel Assembly, Access, Orange - Includes:	1
2	66U1-5562-2	Plug Button, 1.25 Diameter Hole	1
3	58-04376-05	Panel, Access	1
4	34-06185-01	Screw, Pan Head, #8-32 X 0.50 with Nylock	1
5	68-12940-05	Cover, Top, Evaporator Access Panel, White	1
	68-12940-03	Cover, Top, Evaporator Access Panel, Orange	1
6	42-00296-01	Gasket, Evaporator Access Panel	1
7	42-00327-00	Gasket, 0.26 X 0.50 Half-round	1
8	42-00407-00	Gasket, 0.50 Fresh Air Disc	1
9	68-12933-07	Disc, 12.35 Diameter, White	1
	68-12933-05	Disc, 12.35 Diameter, Orange	1
10	66U1-5362-2	Nut, Wing, 5/16-18 - SST	1
11	34-06053-19	Washer, Mylar 1.00 OD X 0.312 ID	1
12	66U1-5321-13	Washer, Plain 5/16 W Type A - SST	1
13	66U1-2552-185	Gasket	1
14	34-06053-13	Washer, Mylar, 1/4 ID X 0.80 OD	8
15	34-06212-12	Washer, Flat, 1/4 - SST	8
16	66CH1-1172-2	Trim, Flexible 2.00 Long	1
17	58-00969-00	Wire Tie 2.80 Diameter, Double Loop	1
18	66U1-8292-1	Cap, Insulating 0.125 OD Black <b>(NOT USED IN THIS ASSEMBLY)</b>	3
19	34-06154-00	Screw, HXHD, 1/4-20 X 1.00 Long - TIR	2
20	34-00655-08	Screw, HXHD, 1/4-20 X 1.00 Long	6
21	58-04251-00	Screen, Medfly, USDA, 16 X 16 <b>(NOT USED IN THIS ASSEMBLY)</b>	2
22	34-00928-02	Rivet, Blind 0.125 Diameter 0.126-0.187	2
23	NSS	Nut, Self Lock, 1/4-20	1
24	NSS	Plate	2
25	NSS	Bracket, Sensor	2
26	NSS	Sensor, Rotary Position	1
27	22-01613-10	Plug, 4-Pin	1
28	22-01613-13	Contact, Socket #16	3
29	22-01613-11	Lock, 4-Pin - Secondary	1
30	22-01660-08	Plug, 0.12 Diameter X 0.58	1

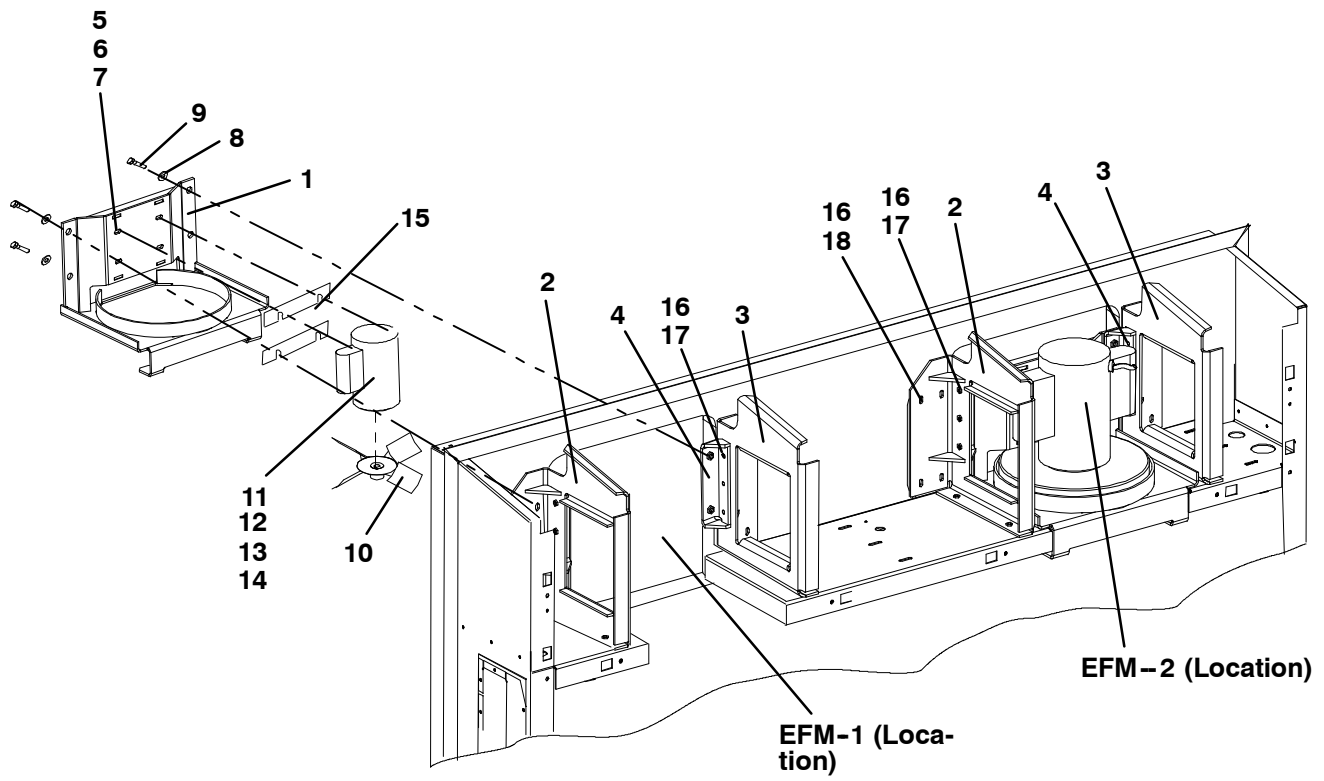
**2.15 UPPER FRESH AIR**



Item	Part Number	Description	Qty
<b>OPTION 1 - ACCESS PANEL ONLY</b>			
1	79-01697-06SV	Panel Assembly, Access, Evaporator, White - Includes:	A/R
	79-01697-17SV	Panel Assembly, Access, Evaporator, Orange - Includes:	A/R
2	58-04378-01	Panel, Access	1
3	42-00327-00	Gasket, 0.26 X 0.50 Half-round	1
4	42-00296-01	Gasket, Evaporator Access Panel	1
5	68-11989-00	Cover, Top, Evaporator Access Panel, White	A/R
	68-11989-01	Cover, Top, Evaporator Access Panel, Orange	A/R
6	66U1-5562-2	Plug Button	1
7	34-06154-00	Screw, HXHD, 1/4-20 X 1.00 Long - TIR	A/R
8	34-06053-13	Washer, Mylar	8
9	34-06212-12	Washer, Plain - 1/4	8
10	34-00655-08	Screw, Hex Head, 1/4-20 X 1.00 Long	A/R



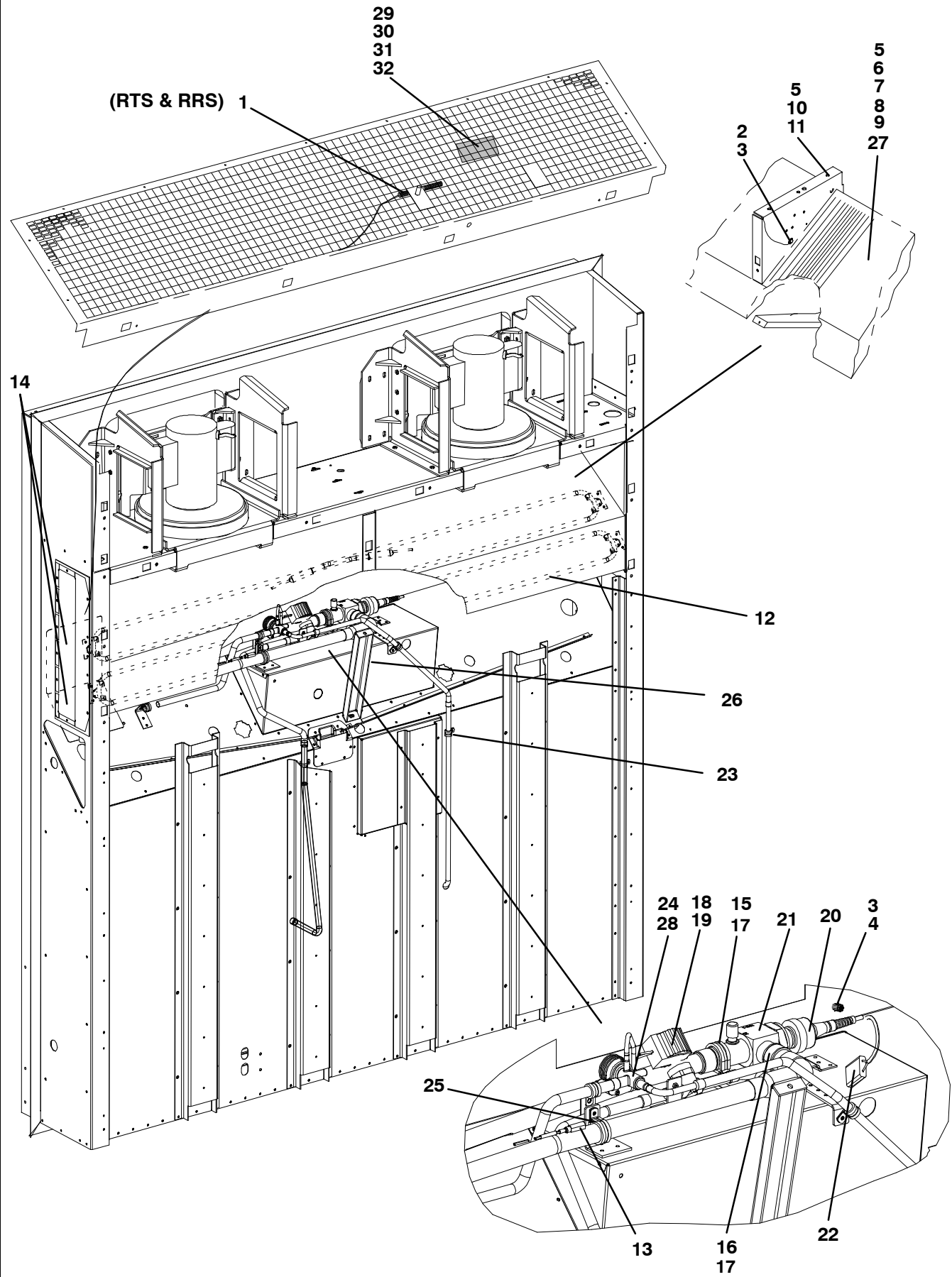
## 2.16 EVAPORATOR FAN ASSEMBLY



**2.16 EVAPORATOR FAN ASSEMBLY (Continued)**

<b>Item</b>	<b>Part Number</b>	<b>Description</b>	<b>Qty</b>
1	86-04505-00	Motor Mount Assembly, Evaporator Fan Assembly	2
2	86-04481-00	Bracket, Right	2
3	86-04482-00	Bracket, Left	2
4	86-04478-00	Bracket, Angle	4
5	34-01181-01	Washer, Flat, 5/16 - SST	16
6	34-00792-10	Capscrew, Hex Head, 5/16-18 x 1-1/4 lg - SST	8
7	34-00667-12	Locknut, 5/16-18 - SST	8
8	66U1-5321-5	Washer, Flat, 3/8 - SST	8
9	66U1-5361-7	Bolt, Hex Head, 3/8-16 x 1.00 lg - SST	8
10	38-00121-00SV	Fan, Evaporator	2
11	54-00601-20	Motor, Evaporator Fan - Includes:	2
12	04-50027-00	Bearing, Front (Shaft End)	1
13	22-50088-00	Capacitor (20 $\mu$ F) High Speed	1
14	22-01613-34	Pin #16	1
NS	22-01892-00	Plug Assembly, Motor (Located on Wire Harness) - Includes:	1
NS	22-01614-03	Plug	1
NS	22-01613-15	Contacts	A/R
NS	22-01892-01	Receptacle Assembly, Motor - Includes:	1
NS	22-01614-02	Receptacle	1
NS	22-01614-05	Strain Relief	1
NS	22-01613-14	Contacts	A/R
15	69NT35-1662	Shim, 0.063 Thick (If Required)	2
	69NT35-1662-1	Shim, 0.090 Thick (If Required)	2
16	66U1-5321-3	Washer, Flat, 1/4 - SST	28
17	66U1-5361-25	Screw, Hex Head, 1/4-20 X 0.75 lg - SST	12
18	34-00655-10	Screw, Hex Head 1/4-20 X 1.25 lg - SST	16

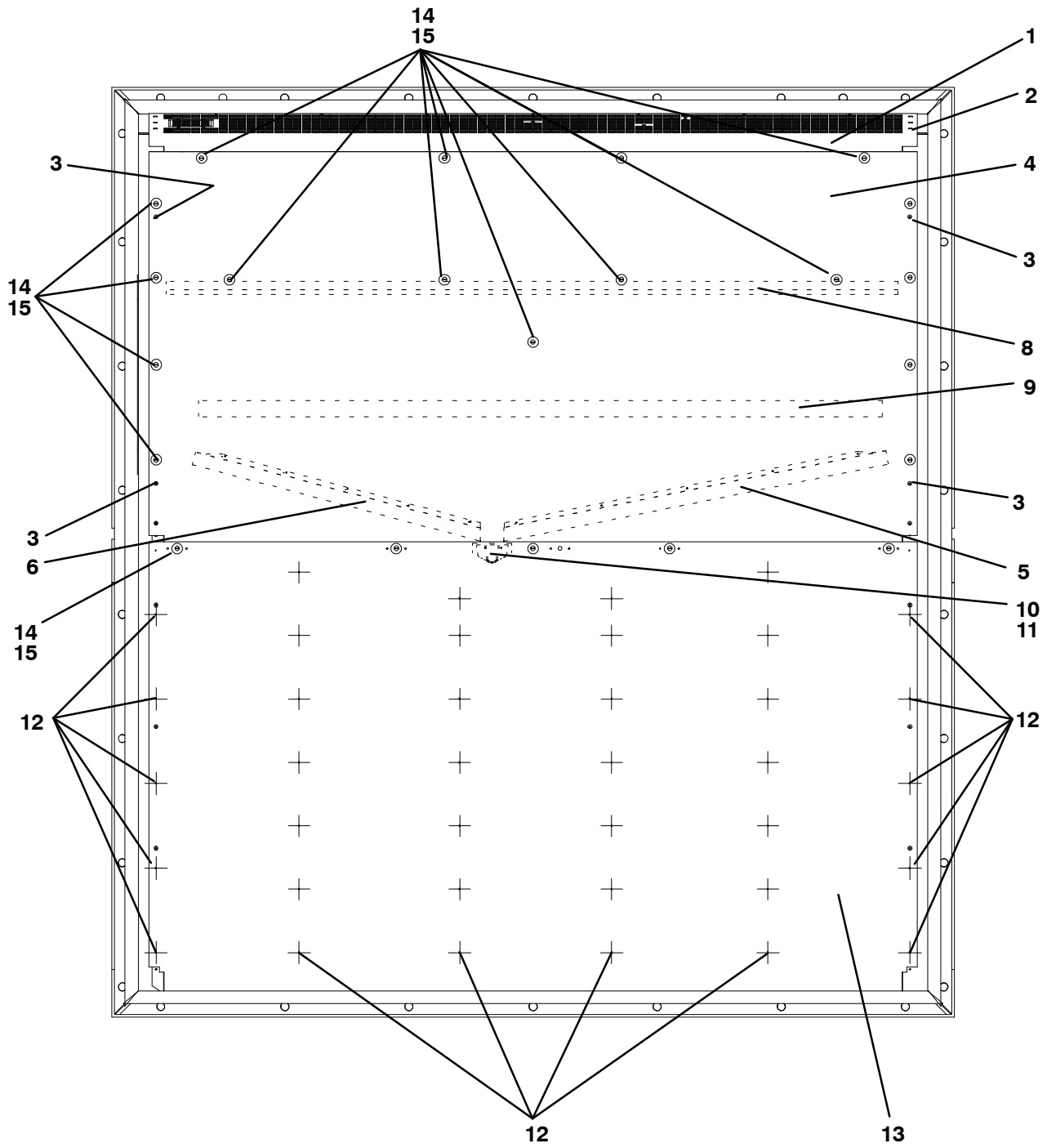
2.17 EVAPORATOR COIL SECTION - REAR PANELS REMOVED



**2.17 EVAPORATOR COIL SECTION - REAR PANELS REMOVED (Continued)**

Item	Part Number	Description	Qty
1	12-00500-01SV	Sensor Assembly (RRS & RTS)	1
2	12-00495-02SV	Sensor, Thermistor, Defrost (DTS)	1
3	34-01178-22	Screw, Hex Head, #8-32 x 1/2 lg. - SST	3
4	66U1-6912-16	Thermostat, Heat Termination (HTT)	1
5	AU11JR171	Washer, Lock, 1/4 - SST	10
6	68-14107-00	Retainer (For Heaters)	1
7	69NT35-6532	Clip (For Heaters)	4
8	69NT35-2692-1	Washer, Flat, 1/4 - SST	2
9	66U1-5371-13	Screw, Hex Head, #10-24 x 1.25 lg. - SST	2
10	66U1-5361-25	Capscrew, Hex Head, 1/4-20 x 3/4 lg. - SST	9
11	66U1-5321-3	Washer, Flat, 1/4 - SST	A/R
12	24-00006-02	Heater, Evaporator Coil	4
13	12-00493-09	Sensor, Thermistor, <b>(CPSS)</b>	1
14	58-04026-26	Protector, Mylar	2
15	34-00373-69	Clamp, Tube 1 3/8 - SST	1
16	KA66FA138	Clamp, Tube 1 3/8 2 Holes	1
17	66U1-5371-7	Screw, Machine, Hex Head, #10-24 x 0.50 lg. - SST	3
18	14-01090-11	Solenoid Valve, Unloader	1
19	14-01091-02	Coil, Unloader Solenoid Valve	1
20	14-00263-05	Valve, Stepper Motor - Includes:	1
21	14-00263-20	Piston and Motor Assembly - Includes:	1
22	22-02392-03	Connector	1
NS	22-02393-01	Pin, 18-20 Gauge <b>(Used on 22-02392-03)</b>	4
NS	22-02394-03	Seal <b>(Used on 22-02392-03)</b>	4
23	44-00370-03	Clamp	1
24	44-00370-04	Clamp	1
25	44-00370-08	Clamp	1
26	86-04498-00	Coil Bracket	1
<b>OPTION 4 HELICOX HATCHED</b>			
27	81-01682-00	Coil, Evaporator (Does not include thermostats or heaters)	1
28	14-00273-02	Valve, Thermostatic Expansion, Hermetic	1
<b>DEHUMIDIFICATION</b>			
-	76-00675-01	Kit, Humidity Sensor( <b>Field installation, units provisioned for - See Unit Matrix, T-300</b> ) - Includes:	-
29	10-00413-00	Sensor, Humidity <b>(HS)</b>	1
30	66U1-5371-10	Screw, Hex Head, #10-24 x 1.00 lg. - SST	4
31	66U1-5321-8	Washer, Flat, #10 - SST	2
32	68-13181-00	Bracket Assembly, Humidity Sensor	1

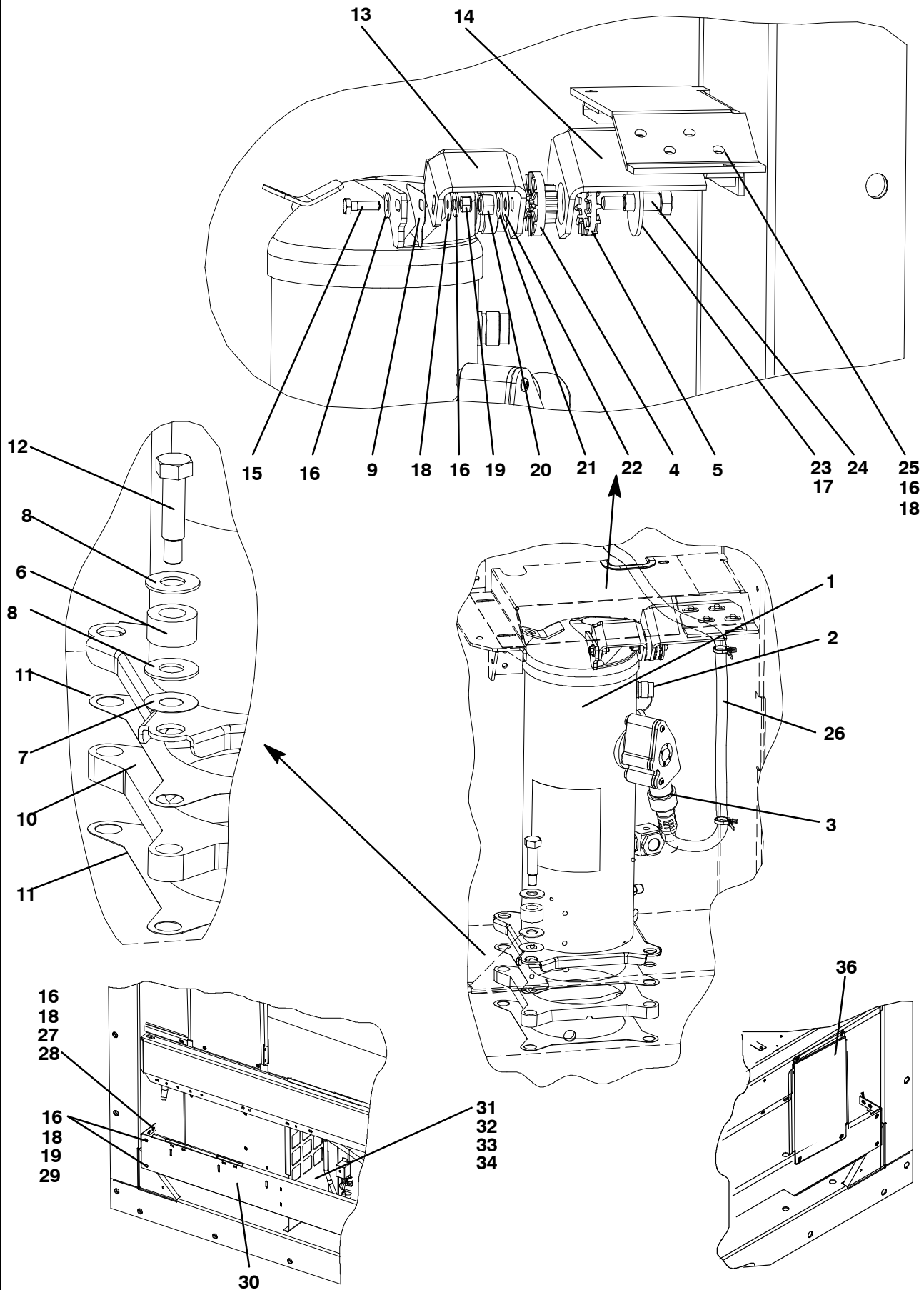
**2.18 BACK PANEL ASSEMBLY - OPTION 1 - ALUMINUM BOLTED**



**2.18 BACK PANEL ASSEMBLY - OPTION 1 - ALUMINUM BOLTED (Continued)**

<b>Item</b>	<b>Part Number</b>	<b>Description</b>	<b>Qty</b>
1	68-14182-00	Grille, Top	1
2	34-00928-07	Rivet, Blind, 5/32 Diameter, Grip Range - 1/8-1/4	13
3	66U1-7982-2	Rivet, TIR, 3/16 Diameter, Grip Range - 5/64-11/64	4
-	69NT41-942-10	Panel Assembly, Upper - Includes:	1
4	68-14038-00	Panel, Upper <b>NSS</b>	1
5	68-14050-00	Drain Pan, Left <b>NSS</b>	1
6	68-14040-00	Drain Pan, Right <b>NSS</b>	1
7	34-00928-02	Rivet, Blind, 1/8 Diameter, Grip Range - 1/8-3/16	12
8	42-00174-34	Gasket	1
9	42-00334-00	Gasket	1
10	58-04533-00	Drain <b>NSS</b>	1
11	68-14148-00	Plate <b>NSS</b>	1
12	34-00928-02	Rivet, Blind, 1/8 Diameter, Grip Range - 1/8-3/16	40
13	68-14046-00	Panel, Bottom (Painted)	1
14	66U1-2403	Screw, Machine, Truss Head, #10-24 x 1/2 lg. - SST	22
15	69NT35-2692	Washer, Fender, #10 x 1.00 OD - SST	22

## 2.19 COMPRESSOR MOUNTING COMPONENTS AND GUARD



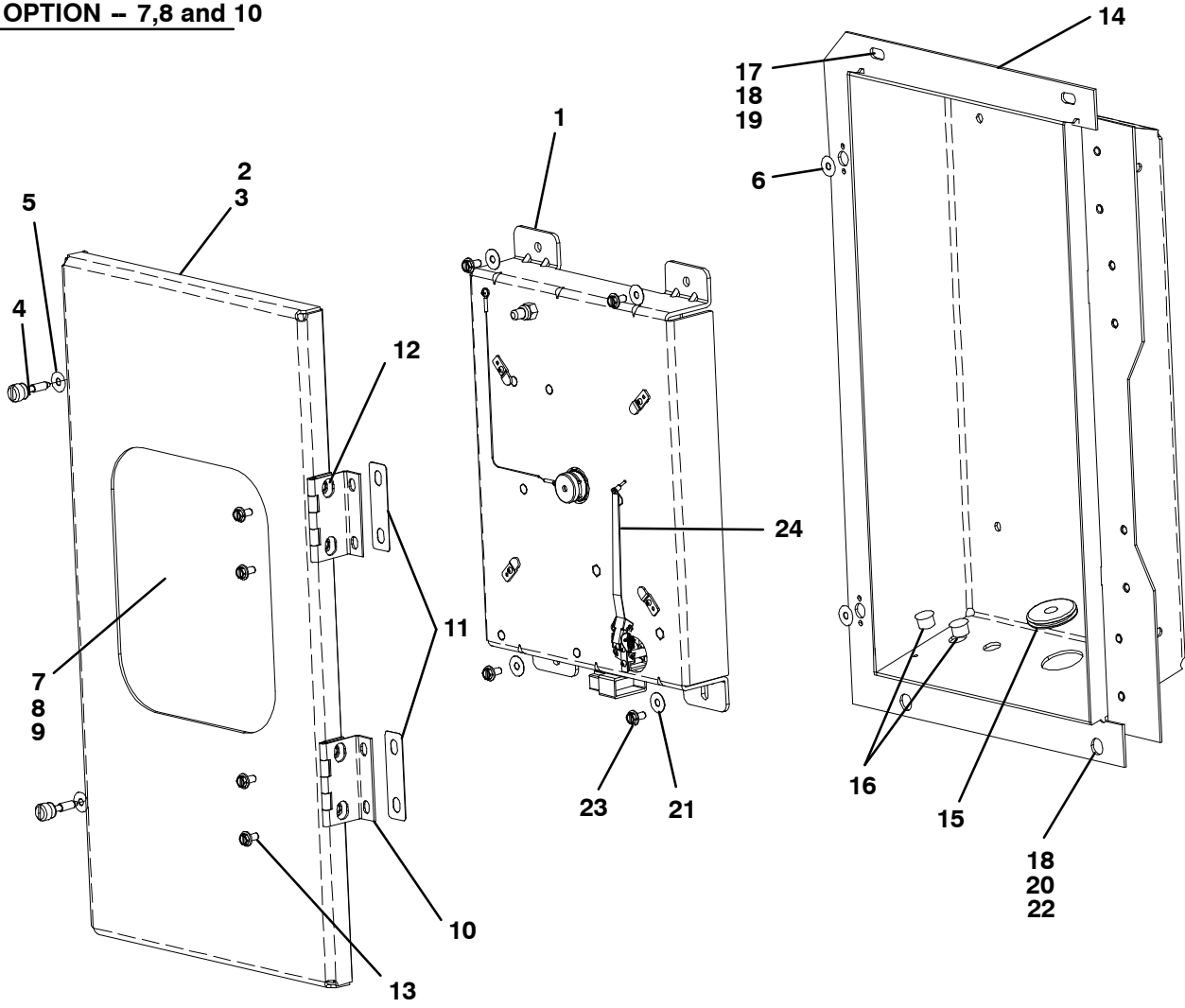
**2.19 COMPRESSOR MOUNTING COMPONENTS AND GUARD (Continued)**

Item	Part Number	Description	Qty
1	18-00095-21SV	Compressor, Scroll - Includes: <b>(See Section 4)</b>	-
2	42-00384-01	Seal, Rotolock, 1-14	1
NS	42-00384-02	Seal, Rotolock, 1-1/4-12	2
NS	07-00427-00	Compressor Oil	2
3	18-00077-41	O-Ring	1
4	58-04461-00	Shockmount, Bushing	1
5	58-04461-01	Shockmount, Ring	1
6	58-04451-00	Mount, Resilient, 80A	4
7	34-06053-20	Washer, Mylar - 1.50 X 0.65	4
8	34-06236-00	Washer, 0.687 X 1.50 X 0.078 - SST	8
9	58-04463-00	Mylar Protector	1
NS	44-01043-07	Wire Tie	2
NS	40-00630-00	Schrader Valve	1
10	48-00350-01SV	Base, Compressor (Painted) - Includes:	1
11	58-04435-00	Protector, Mylar	2
12	34-06174-03	Bolt, Shoulder, 1/2-13 UNC - SST	4
13	86-04405-00	Bracket Assembly	1
14	86-04406-00	Bracket Assembly	1
15	66U1-5361-47	Bolt, Machine Hex Head, 1/4-20 X 1.25 lg. - SST	1
16	66U1-5321-7	Washer, Plain 1/4 - SST	15
17	58-04026-62	Protector, Mylar	1
18	34-06053-00	Washer, Mylar 0.250 ID X 0.800 OD	14
19	34-00667-11	Nut, Self Lock 1/4-20 - SST	4
20	34-00667-13	Nut, Self Lock 3/8-16 - SST	1
21	66U1-5321-5	Washer, Plain 3/8 N Type A - SST	1
22	34-06053-02	Washer, Mylar 0.375 ID X 1.00 OD	1
23	34-06060-03	Washer, Snubbing 0.537 ID X 2.00 OD	1
24	34-06174-04	Bolt, Shoulder, 3/8-16 UNC - SST	1
25	34-00655-04	Screw, Cap Hex Head 1/4-20 x 0.50 - SST	4
26	22-04040-02	Cable, Power	1
27	68-14143-00	Bracket, Guard Support	2
28	66U1-5361-25	Capscrew, Hex Head, 1/4-20 x 3/4 lg. - SST	4
29	66U1-5361-11	Capscrew, Hex Head, 1/4-20 x 1-1/2 lg. - SST	4
30	68-14138-00	Guard, Compressor	1
31	66U1-5321-8	Washer, Flat, #10 - SST	7
32	34-06053-05	Washer, Mylar, 0.205 ID x 0.600 OD	7
33	66U1-5371-7	Screw, Slotted Head, #10-24 x 0.50 lg. - SST	5
34	68-14139-00	Partition	1
35	40-00630-00	Service Valve	1
36	68-14449-00	Compressor cover	1



2.20 OPTIONS 7, 8 AND 10 - ELECTRONIC PARTLOW TEMPERATURE RECORDER

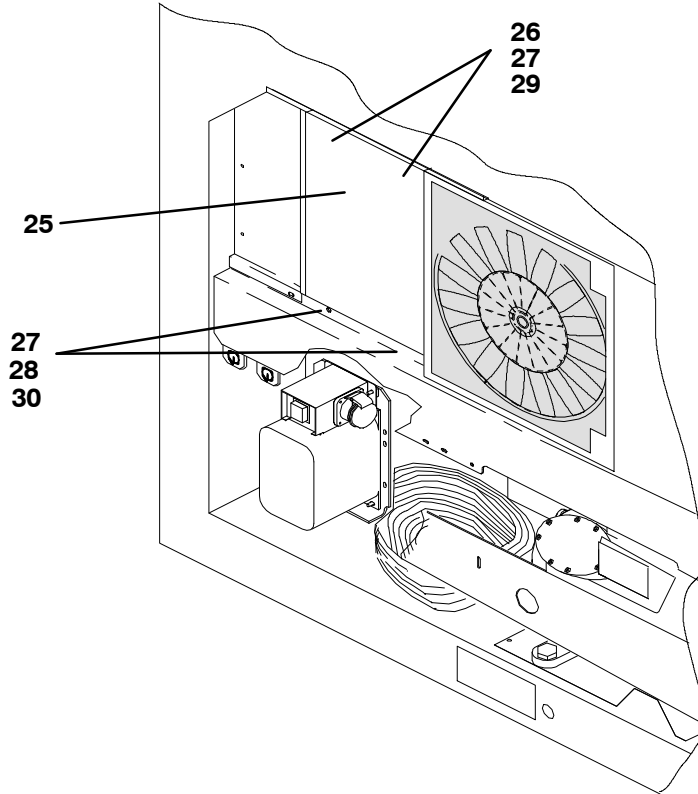
OPTION - 7,8 and 10



<b>2.20 OPTIONS 7, 8 AND 10 ELECTRONIC PARTLOW TEMPERATURE RECORDER (Continued)</b>			
<b>Item</b>	<b>Part Number</b>	<b>Description</b>	<b>Qty</b>
-	76-00701-11 <b>OPTION 7</b>	Partlow Recorder Kit, Standard - Includes: Recorder, Box & Door Assy's <b>(For field installation, units provisioned for - Refer to Manual T-300 )</b>	1
1	12-00464-06	Electronic Temperature Recorder	1
-	76-00701-10 <b>OPTION 8</b>	Partlow Recorder Kit, Special - Includes: Recorder, Box & Door Assy's <b>(For field installation, units provisioned for - Refer to Manual T-300 )</b>	1
1	12-00464-05	Electronic Temperature Recorder	1
2	76-00701-05	Door Assembly - Includes:	1
3	42-01098-01	Seal, Door - Rubber	1
4	66U1-6811-8	Screw, Retaining - 0.300 - 0.625 Panel Thickness - SST	2
5	34-06053-00	Washer, 0.25 ID x 1.00 OD - Mylar	4
6	34-06169-00	Washer, Retaining - SST	2
7	69NT35-5022-5	Window	1
8	69NT35-5352-1	Gasket	1
9	34-00795-09	Nut, Selflock, 1/4-20	4
10	44-00374-00	Hinge	2
11	58-04101-07	Protector - Mylar	4
12	34-06179-04	Screw, Hex Head, SEMS, #10-24 x 5/16 lg.	4
13	34-06179-00	Screw, Hex Head, #10-24 x 7/16 lg. - SST	4
14	76-00701-06SV	Box Assembly - Includes:	1
15	58-00065-67	Grommet, 3/8 ID x 1.25 OD	1
16	58-00065-70	Plug, Hole, 0.50 Diameter	2
17	66U1-5321-7	Washer, Flat, 1/4 - SST	2
18	66U1-5361-25	Screw, Cap, Hex Head, 1/4-20 x 0.75 lg. - SST	4
19	34-06053-13	Washer, Retaining, 0.19 ID x 0.80 OD - Mylar	2
20	69NT35-2692-1	Washer, Fender, 1/4 ID x 0.993-1.015 OD	2
21	34-06053-05	Washer, 1/4 ID x 1 OD - Mylar	4
22	34-06053-03	Washer, 0.25 ID x 0.19 OD - Mylar	2
23	34-06179-00	Screw, Hex Head, SEMS, #10-24 x 7/16 lg.	4
24	09-00371-00	Stylus, Electronic Partlow Kit, Includes:	
NS	-	Chart - Owner Supplied	A/R
NS	09-00128-00	Charts °F - 31 Day (Box of 50) (-20°F to +80°F)	A/R
NS	09-00128-01	Charts °C - 31 Day (Box of 50) (-25°C to +25°C)	A/R

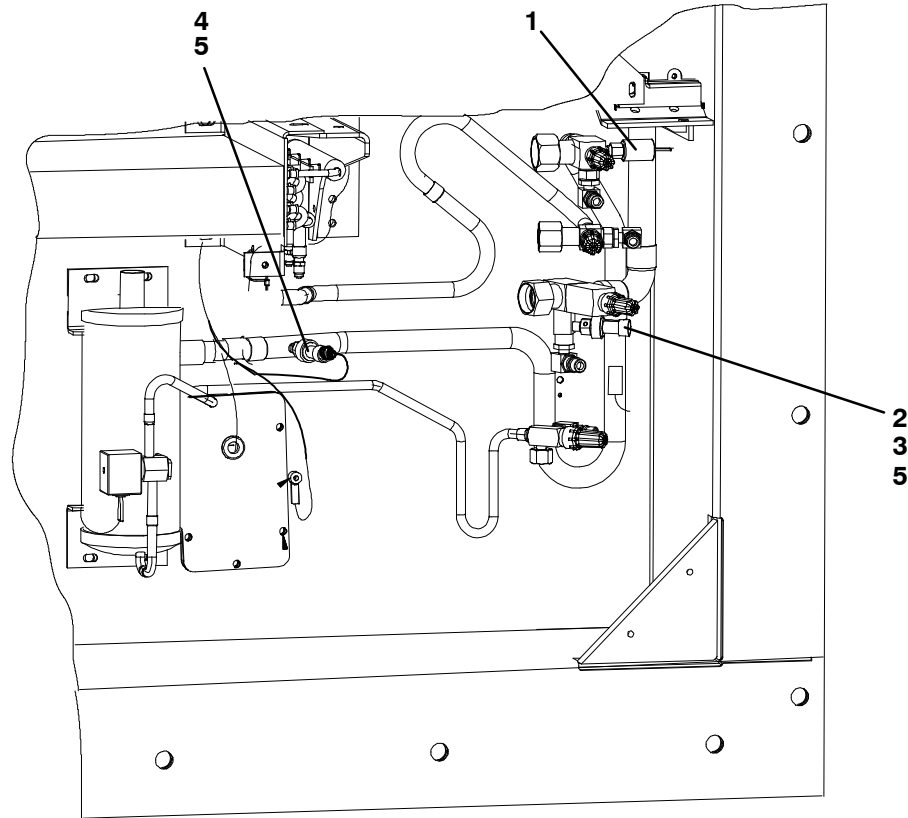
**OPTION 9 - NO TEMPERATURE RECORDER**

**OPTION 9**



Item	Part Number	Description	Qty
<b>OPTION 9 - NO TEMPERATURE RECORDER</b>			
25	68-12658-01	Panel	1
26	66U1-5321-7	Washer, Flat, 1/4 - SST	2
27	66U1-5361-25	Screw, Cap Hex Head, 1/4-20 x 0.75 lg. - SST	4
28	69NT35-2692-1	Washer, Fender, 1/4 ID x 0.993-1.015 OD	2
29	34-06053-13	Washer, Retaining, 0.195 ID x 0.80 OD - Mylar	2
30	34-06053-03	Washer, 0.25 ID x 1.00 OD - Mylar	2

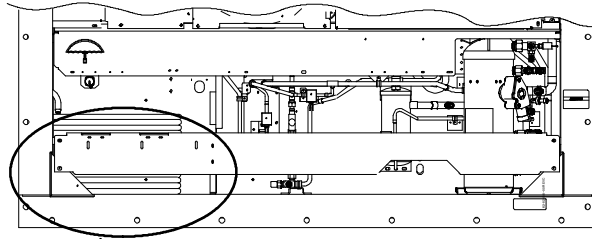
## 2.21 TEMPERATURE READOUT



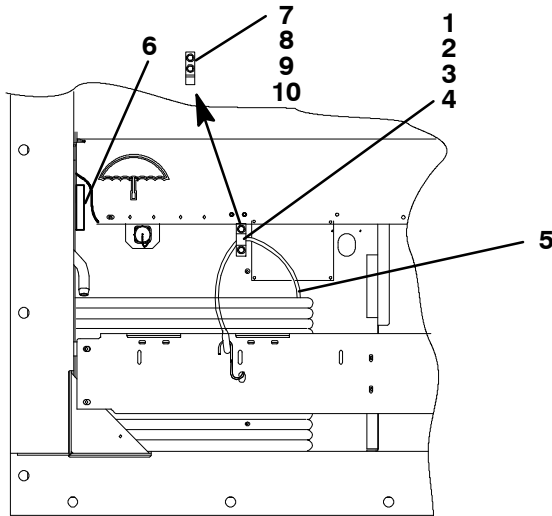
**Option T - Transducer Locations**

Item	Part Number	Description	Qty
<b>OPTION T - PRESSURE TRANSDUCERS (Digital)</b>			
1	12-00309-05	Switch, Pressure	1
-	12-00352-07SV	Transducer Kit - Includes:	1
2	12-00352-07	Transducer, Suction ( <b>SPT</b> ) <b>NSS</b>	1
3	22-01713-12	Cable, SPT Patch	1
4	12-00352-00	Transducer, Discharge ( <b>DPT</b> )	1
5	EC39DM070	Core, Check Valve (Used with 40-00604-00 Tee)	3

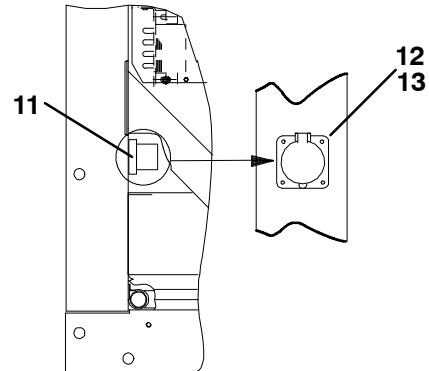
## 2.22 CABLE RESTRAINT COMPONENTS



**OPTION 3 - J-HOOK**



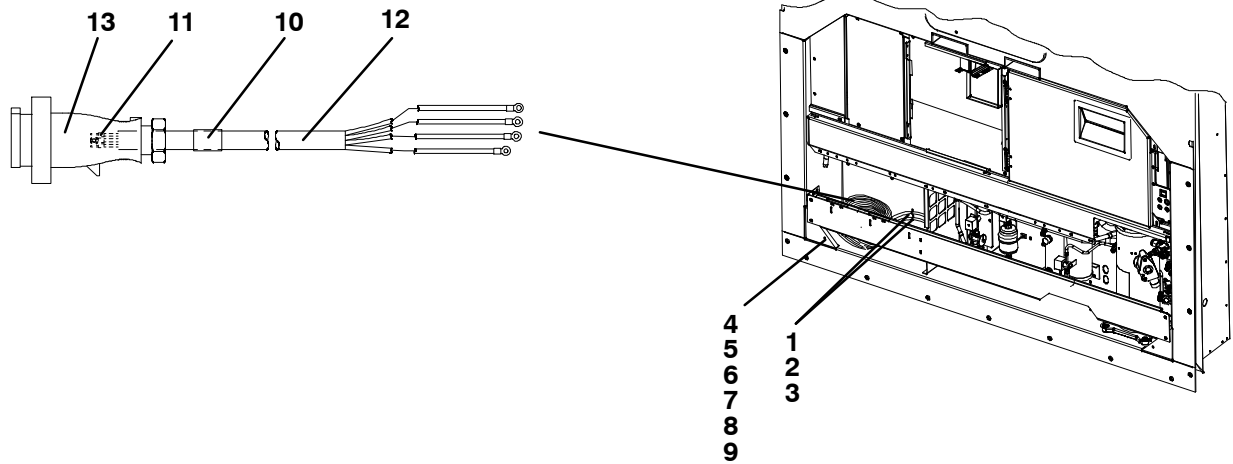
**OPTION 2 - LEFT SIDE BUNGY CORD**



**OPTION R - DUMMY RECEPTACLE**

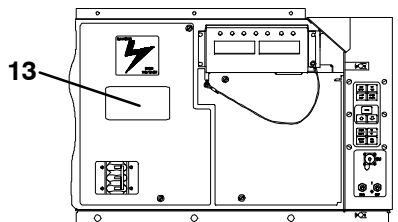
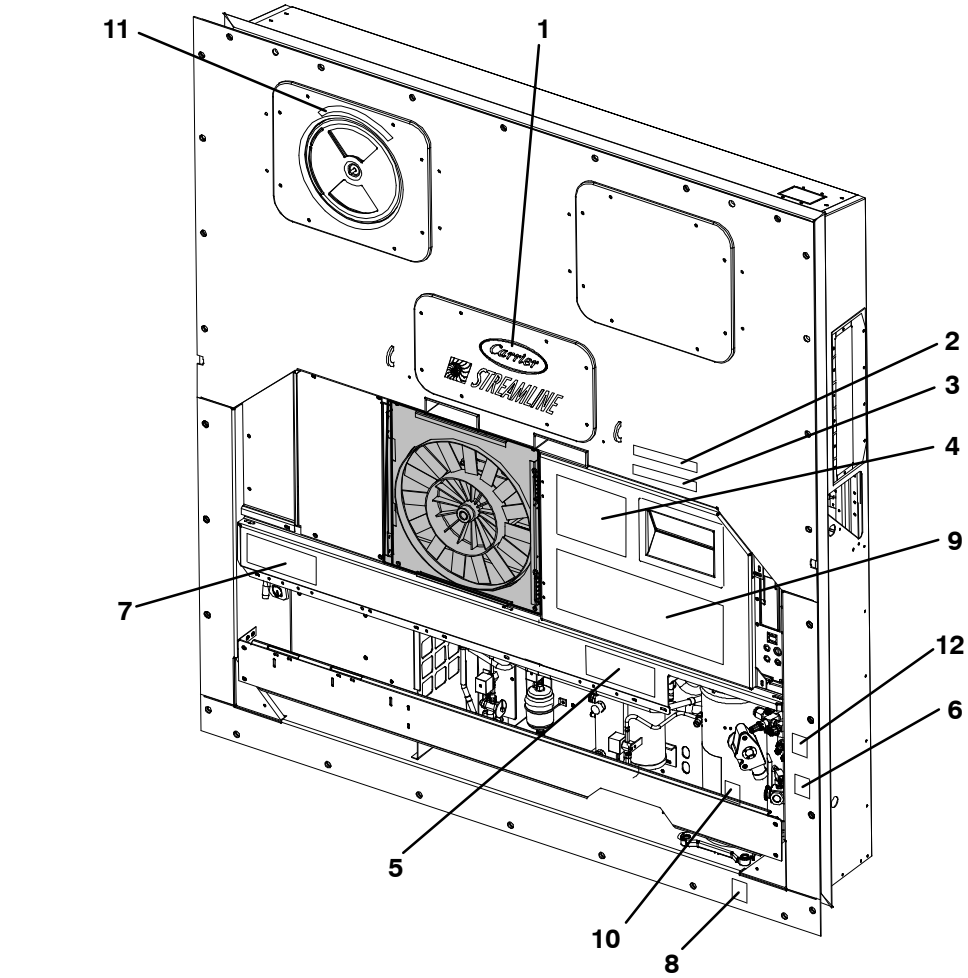
Item	Part Number	Description	Qty
<b>OPTION 2 - LEFT BUNGY CORD ONLY</b>			
1	69NT35-5992	Cable Restraint	1
2	66U1-5321-7	Washer, Flat, 1/4 - SST	2
3	66U1-5361-25	Screw, Cap, Hex, Head, 1/4-20 x 0.75 lg - SST	2
4	34-06053-03	Washer, Mylar, 0.25 ID X 1.00 OD	2
5	66U1-2603	Strap, Tie Down	1
6	22-01679-03	Dummy Receptacle	1
<b>OPTION 3 - J-HOOK</b>			
7	69NT35-8382	Cable Restraint, J-Hook	1
8	58-04026-22	Protector, Mylar	1
9	66U1-5321-7	Washer, Flat, 1/4 - SST	2
10	66U1-5361-25	Screw, Cap, Hex, Head, 1/4-20 x 0.75 lg - SST	2
<b>OPTION R - DUMMY RECEPTACLE (for use in addition to Options 1-5)</b>			
11	22-01679-03	Receptacle	1
12	66U1-5321-8	Washer, Flat, #10 SST	4
13	66U1-5371-6	Screw, Cap, Hex, Head, 10-24 x 0.75 lg - SST	4

## 2.23 VOLTAGE CABLES



Item	Part Number	Description	Qty
<b>CLAMPS ON BACK WALL AND CABLE CUTTERS</b>			
1	34-00373-59	Clamp, Tube, Cushioned, 3/4 Diameter	A/R
2	66U1-5381-1	Screw, Hex Head, #10-24 x 3/4 lg. - SST	A/R
3	34-06053-03	Washer, Mylar, 1/4 ID x 1.00 OD	A/R
4	69NT35-6412-2	Clamp, Cable Cutter, 8 AWG cable	1
	69NT35-6412	Clamp, Cable Cutter, 10 AWG cable	1
	68-14456-01	Clamp, Cable Cutter, 11 AWG cable	1
5	58-04026-07	Protector, Mylar	A/R
6	66U1-5361-11	Screw, Machined Hex Head, 1/4-20 x 1-1/2 lg. - SST	A/R
7	34-00667-11	Locknut, Hex Head, 1/4-20 - SST	A/R
8	66U1-5321-7	Washer, Flat, 1/4 - SST	A/R
9	34-06053-03	Washer, Mylar, 0.25 ID x 1.00 O. D.	A/R
<b>STANDARD PARTS FOR ALL 460V CABLES</b>			
10	66U1-2583	Heat Shrink Tube (Coil Label) - "460V"	1
11	22-02324-01	Bushing (Used with Standard Cable)	4
<b>OPTION 1</b>			
12	66U1-9782	Cable, Power - Yellow, 10/4	A/R
13	22-02378-00	Plug, Power (Package of 10)	1

2.24 LABELS AND DECALS



**VIEW - INSIDE CONTROL BOX**

**2.24 LABELS AND DECALS (Continued)**

<b>Item</b>	<b>Part Number</b>	<b>Description</b>	<b>Qty</b>
<b>STANDARD LABELS</b>			
1	62-10720-00	Decal, Carrier Streamline	1
2	69NT35-3867	Label, Economy Mode	1
3	69NT35-3907	Label, Humidity Control Sensor	1
4	62-02721-07	Label, Function Code - <i>English</i>	1
5	62-10902-02	Label, USDA Cold Certified	1
	62-10902-03	Label, Micro-Link 3 with USDA Cold Certified	1
	62-10902-04	Label, Micro-Link 3 without USDA Cold Certified	
6	62-02444-01	Label, Charge with R-134a	1
7	62-02530-01	Label, R-134a - Ozone Protection - <i>English</i>	1
	62-02530-01	Label, R-134a - Ozone Protection, Umbrella Only - <i>English</i>	1
8	62-02458-01	Label, POE Compressor Oil	1
<b>OPTION 1 - ENGLISH</b>			
9	62-02743-16	Label, Operating Instructions - <i>English</i>	1
10	62-10717-00	Label, Warning Compressor Power-Up - <i>English</i>	1
11	62-02723-13	Label, Fresh Air Makeup - <i>English</i>	1
12	62-10716-00	Label, Compressor Removal - <i>English</i>	1
13	62-10532-00	Label, Welding Precautions - <i>English</i>	1





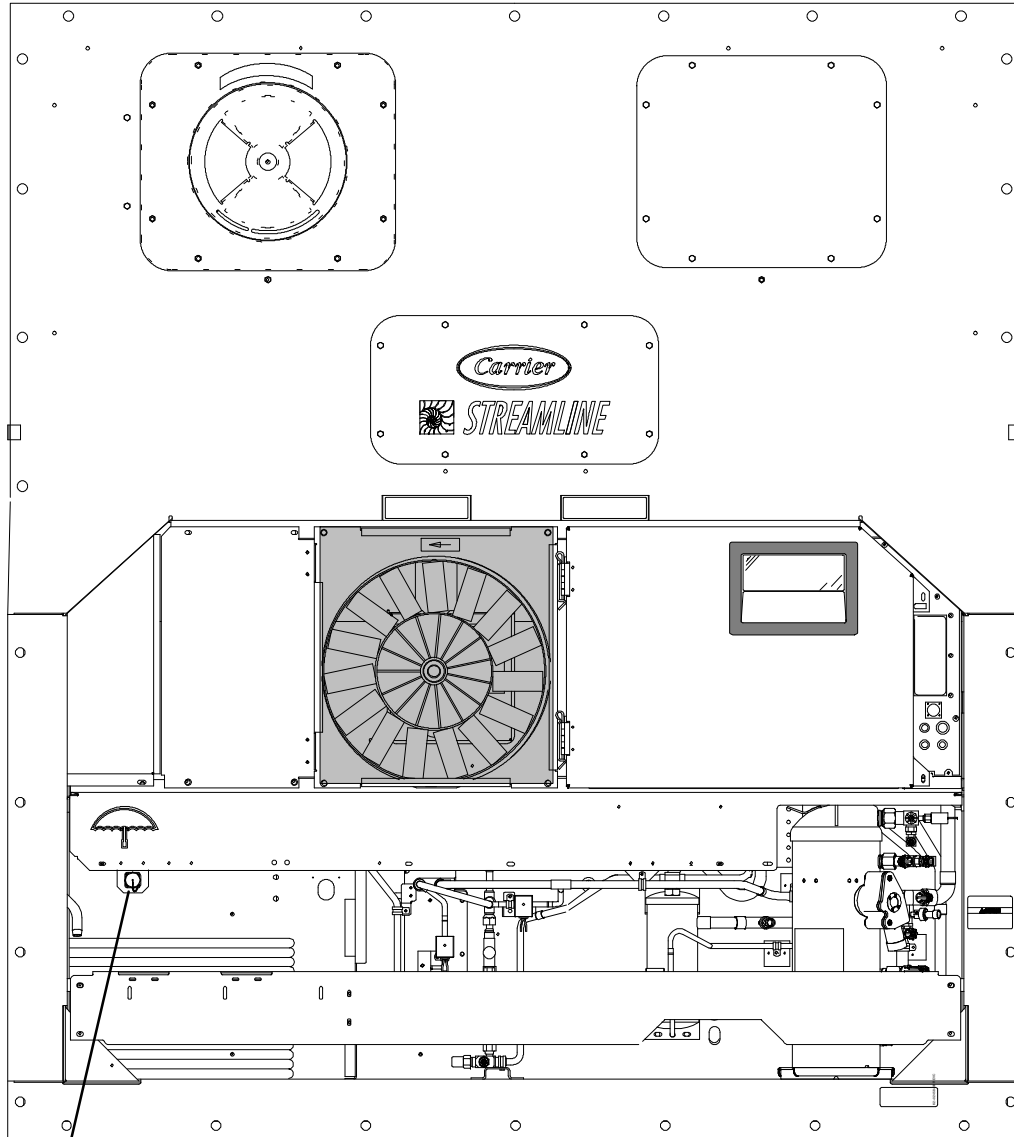
**3.1 DATAREADER (Continued)**

Item	Part Number	Description	Qty
1	No longer offered	DataReader	1
2	22-01737-00	Cable, Download	1
3	22-01737-01	Cable, Adapter	1
4	22-01743-00	Cable, Upload	1
5	PL	Battery, Alkaline - 9 Volt	1
-	07-00406-00	Disk Kit, DataView (DOS) <b>(3.5 DS/HD Diskettes, Formatted)</b> <b>(SEE NOTE)</b> - Includes:	1
6	12-00413-05SV	Software, DataView <b>NSS</b>	1
6	12-00528-00	Software, DataView (Scroll) <b>NSS</b>	1
7	22-01737-02	Cable, H. P. Palmtop	1
8	76-50058-00	Kit, Battery, with Cable - Includes:	1
9	<b>NSS</b>	Battery, External, with Battery Charger	1
10	22-02401-00	Cable	1
11	76-50059-00	Kit, Cable, with Adapter - Includes:	1
12	22-02418-02	Cable, Interrogator	1
13	22-02420-00	Adapter	1
14	-	Receptacle - <b>Refer to Section 3.2</b>	-

**NOTE**

Kit includes a 3.5 DS/HD Diskette, Formatted. If a DS/DD Diskette is required, contact a Customer Service Representative.

### 3.2 INTERROGATOR RECEPTACLE



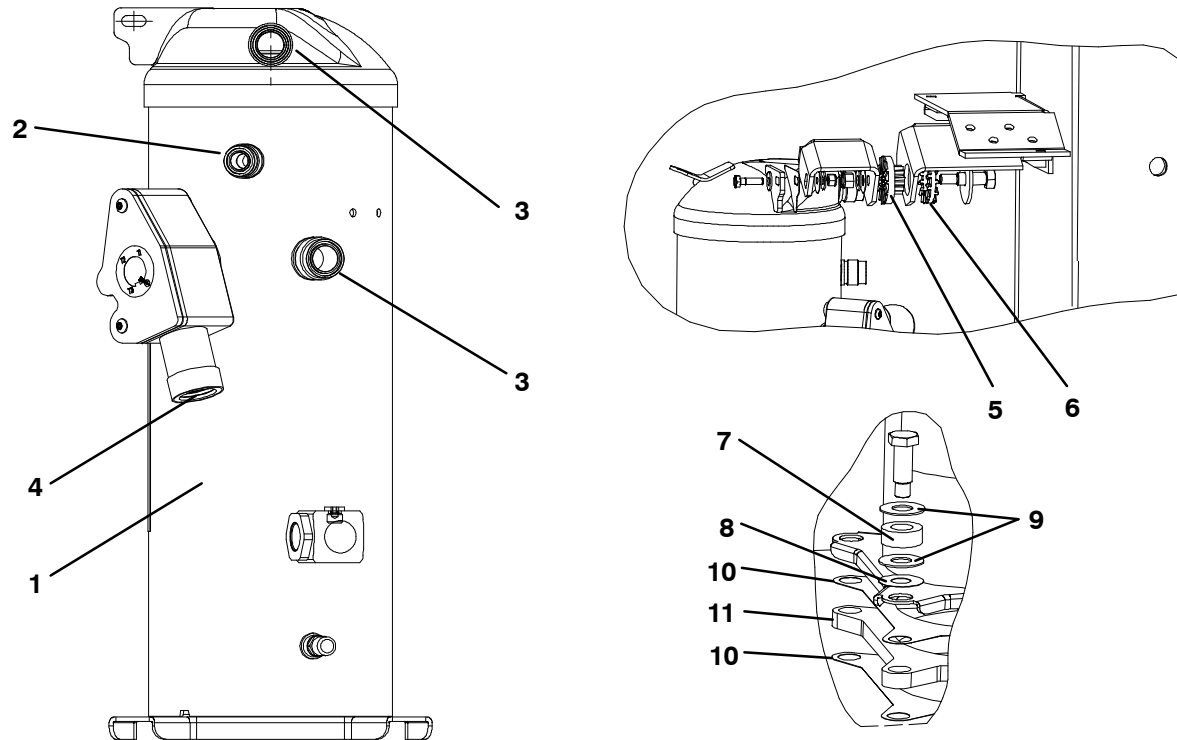
#### OPTION 1 & OPTION 5

- |   |   |
|---|---|
| 1 | 5 |
| 2 | 6 |
| 3 | 7 |
| 4 | 8 |

**3.2 INTERROGATOR RECEPTACLE (Continued)**

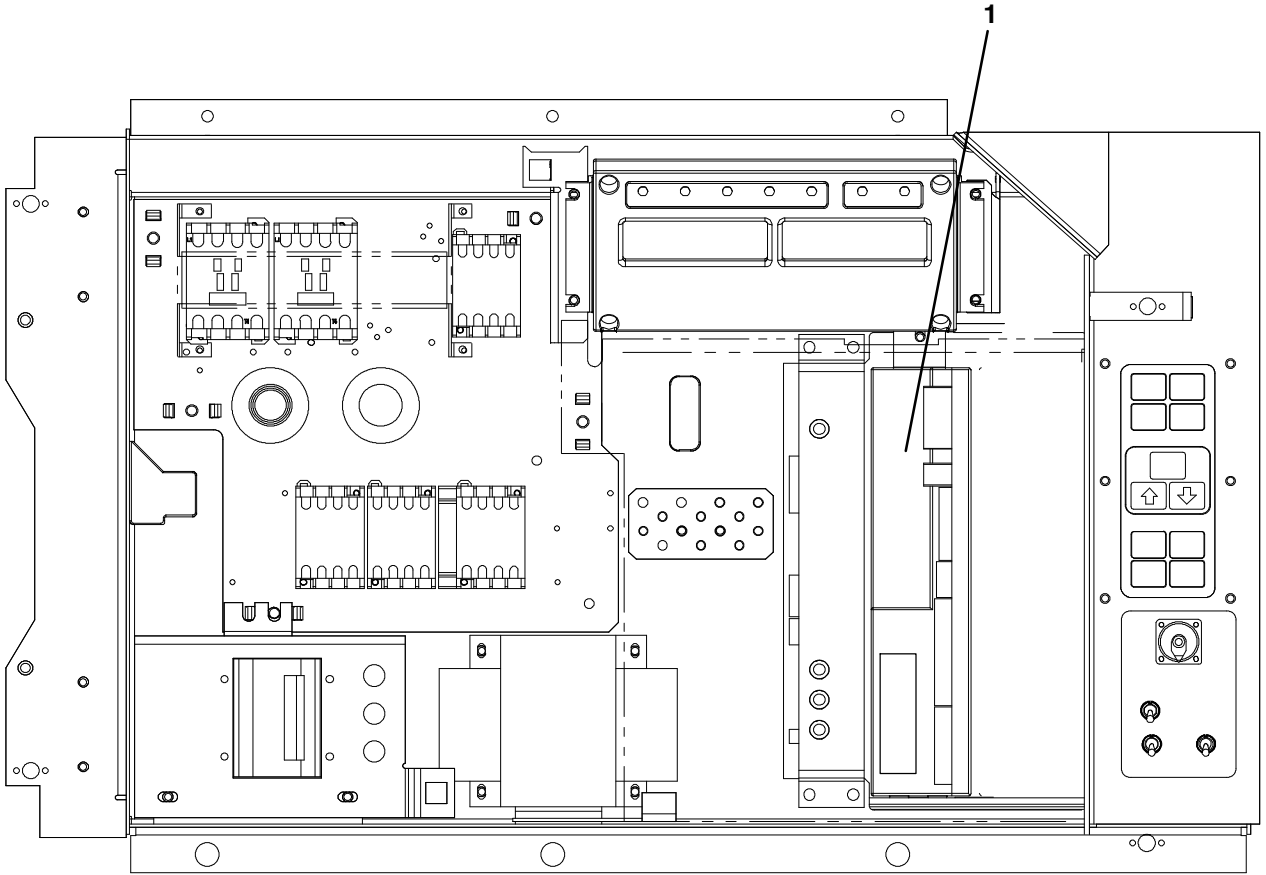
<b>Item</b>	<b>Part Number</b>	<b>Description</b>	<b>Qty</b>
<b>OPTION 1 - LEFT STRAIGHT MOUNT</b>			
1	22-01660-03	Receptacle, Interrogator (ICR) (5 Pin)	1
2	22-01613-14	Contact, Pin, #16	5
3	69NT43-176	Cap, Dust, with Tether (5 Pin)	1
4	69NT41-192	Bracket, Interrogator Connector	1
<b>OPTION 5 - LEFT ANGLED MOUNT</b>			
5	22-01660-03	Receptacle, Interrogator (ICR) (5 Pin)	1
6	22-01613-14	Contact, Pin, #16	5
7	69NT43-176	Cap, Dust, with Tether (5 Pin)	1
8	68-12553-00	Bracket, Interrogator Connector	1
<b>NOTE</b> Do not mix silver and gold pins and sockets.			

## 4 COMPRESSOR



Item	Part Number	Description	Qty
1	18-00095-21SV	Compressor, Scroll (See Section 2.19) - Includes:	1
2	42-00384-01	Seal, Rotolock, 1-14	1
3	42-00384-02	Seal, Rotolock, 1-1/4-12	2
4	18-00077-41	O-Ring	1
5	58-04461-00	Shockmount, Bushing	1
6	58-04461-01	Shockmount, Ring	1
7	58-04451-00	Mount, Resilient, 80A	4
8	34-06053-20	Washer, Mylar - 1.50 X 0.65	4
9	34-06236-00	Washer - 0.687 X 1.50 X 0.78	8
10	58-04435-00	Protector, Mylar	2
11	48-00350-01SV	Base, Compressor (Painted)	1
NS	07-00427-00	Oil	2

## 5 CONTROLLER/DATACORDER CONFIGURATION



Item	Part Number	Description	Qty
1	12-55007	Controller - Un-Configured (See Note 1)	1
	-	Controller - Configured (See Note 2 and Refer to Container Unit Matrix)	1

### NOTES

1. The last four digits of the Part Number refer to the operation software revision.
2. The Controller/DataCORDER module is shipped with the operational software already loaded, however, when ordering this part number the end user must load the configuration software at the time of installation.

**6 TOOLS**

<b>PART NO.</b>	<b>DESCRIPTION</b>
07-00013-01	Temperature Test Lead <b>(15 Foot)</b>
07-00013-02	Temperature Test Lead <b>(50 Foot)</b>
07-00013-03	Adapter, Males (Both Ends) <b>(Use with Temperature Tester)</b>
07-00015-00	Case, Carrying <b>(Used with 07-00013-00)</b>
07-00450-00	Wrench, Compressor Sight Glass
07-00437-00	Inspection Light with Mirror
07-00228-00	Volt-Ohmmeter, Digital
07-00229-00	Amprobe Clamp <b>(Used with 07-00228-00)</b>
07-00238-00	Wrench, Service Valve
07-00243-10	Multimeter, Digital <b>(Fluke)</b>
07-00263-00	Pliers, Crimping (Used for compressor terminal block replacement)
07-00264-00	Grip, Wire Vise (Used for compressor terminal block replacement)
07-00277-00	Kit, Static Dissipative (Used for working on electronic components)
07-00304-00	Ground Strap, Wrist (Used for working on electronic components)
07-00294-00	Gauge Set, Manifold - <b>Fahrenheit/PSI</b>
07-00294-05	Gauge Set, Manifold - <b>Centigrade/KPa</b>
07-00295-00	Detector, Leak
07-00397-03	Extractor, Pin (Used on Fan Motor Plugs and Interrogator Plugs)
07-00397-02	Crimper, Pin (Used on Fan Motor Plugs and Interrogator Plugs)
07-00329-00	Extractor, Pin (Used on Controller module connectors)
07-00330-00	Crimper, Pin (Used on Controller module connectors)
07-00370-00	Crimper, Pin <b>(Used on Stepper Valve, HPS)</b>
07-00387-00	Extractor, Pin <b>(Used on Stepper Valve, HPS)</b>
07-00375-00	Tester, Portable, Stepper Motor Drive
07-00391-00	Application Gun (Used with 07-00390-00)
07-00398-00	Software Card Programmer
07-00408-00	Stepper Jumper Assembly
07-00418-00	Torx Driver Bit
07-00409-00	1-1/8", 3/8" Drive, u/o economizer valve
07-00410-00	1-3/8", 3/8" Drive, u/o suction/discharge valve
07-00411-00	2-1/8", 3/8" Drive, u/o SMV
07-00438-00	PC Card (USB Port)
07-00439-00	PC Card (Serial Port)
07-00446-00	ML3 CARD CHARGER 120V
07-00446-01	ML3 CARD CHARGER 240V
<b>Refer to Manual 62-03213</b>	

# PART NUMBER INDEX

PART NO.	PAGE NO.	PART NO.	PAGE NO.	PART NO.	PAGE NO.
02-00082-00	7	07-00446-00	50	14-00263-05	31
04-50027-00	14, 29	07-00446-01	50	14-00263-20	31
07-00013-01	50	07-00450-00	50	14-00273-02	31
07-00013-02	50	09-00128-00	37	14-00284-20SV	19
07-00013-03	50	09-00128-01	37	14-00285-00	19, 22
07-00015-00	50	09-00369-00SV	11	14-00311-00	19
07-00228-00	50	10-00332-21SV	9	14-01032-14	20
07-00229-00	50	10-00366-01SV	9	14-01090-11	31
07-00238-00	50	10-00413-00	31	14-01090-12	19
07-00243-10	50	10-00431-02	9	14-01091-01	19, 22
07-00263-00	50	10-00431-06	8	14-01091-02	31
07-00264-00	50	10-00431-07	8	18-00077-41	35, 48
07-00277-00	50	10-01129-07	9	18-00095-21SV	35, 48
07-00294-00	50	10-01129-10	9	22-00041-00	1
07-00294-05	50	10-0298-01	8	22-00041-02	1
07-00295-00	50	12-00275-19SV	13	22-00066-01	1
07-00304-00	50	12-00309-05	39	22-00066-02	1
07-00313-00	1	12-00352-00	39	22-00066-03	1
07-00329-00	50	12-00352-07	39	22-00119-04	1
07-00330-00	50	12-00352-07SV	39	22-00120-04	1
07-00345-00	1	12-00395-01SV	21	22-00120-07	1
07-00370-00	50	12-00413-05SV	45	22-00121-07	1
07-00375-00	50	12-00433-00RP	13	22-00595-01	1
07-00387-00	50	12-00433-02RP	13	22-01106-00	1
07-00390-00	7	12-00464-05	37	22-01107-00	1
07-00391-00	7, 50	12-00464-06	37	22-01139-04	1
07-00397-02	50	12-00493-08	17	22-01140-01	1
07-00397-03	50	12-00493-09	31	22-01140-02	1
07-00398-00	50	12-00495-02SV	20, 31	22-01140-04	1
07-00406-00	45	12-00500-01SV	31	22-01141-01	1
07-00408-00	50	12-00528-00	45	22-01556-00	13
07-00409-00	50	12-00573-00SV	13	22-01556-01	11
07-00410-00	50	12-00594-xx/5315	11	22-01556-02	11
07-00411-00	50	12-55007	49	22-01613-10	26
07-00418-00	50	14-00176-04	17	22-01613-11	26
07-00427-00	48	14-00220-01	20	22-01613-13	26
07-00437-00	50	14-00221-01	20	22-01613-14	29, 47
07-00438-00	50	14-00222-01	19	22-01613-15	29
07-00439-00	50	14-00232-08	19	22-01613-34	29



# PART NUMBER INDEX

PART NO.	PAGE NO.	PART NO.	PAGE NO.	PART NO.	PAGE NO.
22-01614-02	29	22-02420-00	45	34-00928-02	7, 26, 33
22-01614-03	29	22-04040-00	35	34-00928-09	33
22-01614-05	29	22-4031-00	11	34-01142-01	7, 9
22-01621-03	13	22-4031-01	11	34-01167-01	5
22-01621-23	11	22-4031-02	11	34-01178-22	31
22-01622-00	11	22-50007 Series	1	34-01181-01	14, 29
22-01622-01	11	22-50088-00	29	34-06053-00	5, 14, 19, 20, 22, 25, 26, 35, 37
22-01622-02	11	22-50088-02	14	34-06053-02	14, 35
22-01660-03	47	22-50100-00	11	34-06053-03	14, 15, 37, 38, 40, 41
22-01660-08	26	22-50157-00	11	34-06053-05	5, 17, 19, 35, 37
22-01679-03	40	24-00006-02	31	34-06053-13	27, 37
22-01713-02	13	30-00407-02SV	11	34-06053-18	23
22-01713-06	11	34-00373-05	1, 19	34-06053-19	25, 26
22-01713-12	39	34-00373-07	1, 17, 19	34-06053-20	35, 48
22-01737-00	45	34-00373-11	1	34-06060-03	35
22-01737-01	45	34-00373-51	1	34-06107-00	5
22-01737-02	45	34-00373-53	1, 17	34-06139-03	7
22-01743-00	45	34-00373-54	19	34-06154-00	25, 26, 27
22-01777-00SV	11	34-00373-59	1, 41	34-06169-00	5, 15, 37
22-01777-01SV	11	34-00373-65	1	34-06174-03	35
22-01777-03	11	34-00373-69	1, 31	34-06174-04	35
22-01777-04	11	34-00373-71	1	34-06179-00	15, 37
22-01889-00	9	34-00373-88	1	34-06179-04	37
22-01892-00	29	34-00655-04	35	34-06185-01	25, 26
22-01892-01	29	34-00655-08	25, 26	34-06211-01	8
22-02324-01	41	34-00655-10	29	34-06212-12	27
22-02336-02	1, 11	34-00662-08	9	34-06223-00	9, 13
22-02336-08	1, 11	34-00662-11	25	34-06223-01	13
22-02341-00	9	34-00663-07	9	34-06224-01	9
22-02341-01	9	34-00663-11	15	34-06227-00	9
22-02368-00	9	34-00665-09	5	34-06231-01	7
22-02378-00	41	34-00667-05	9	34-06231-03	7
22-02392-03	31	34-00667-11	19, 35, 41	34-06231-04	7
22-02393-01	31	34-00667-12	14, 29	34-06231-05	7
22-02394-03	31	34-00667-13	35	34-06231-06	7
22-02396-02	13	34-00792-10	29	34-06231-07	7
22-02396-03	13	34-00795-09	37		
22-02401-00	45	34-00848-10	9		
22-02418-02	45	34-00928-01	7, 9		

# PART NUMBER INDEX

PART NO.	PAGE NO.	PART NO.	PAGE NO.	PART NO.	PAGE NO.
34-06236-00	35, 48				
34-0662-11	26	54-00601-20	29	62-02735-00	11
34-50015-00	7	58-00065-67	37	62-02738-04	11
34-66627-00	25	58-00065-70	37	62-02738-08	11
34-66629-05	9	58-00967-00	8	62-02743-16	43
38-00121-00SV	29	58-00969-00	25, 26	62-03957-01	7
38-00503-00	14	58-01184-00	11, 13	62-10532-00	43
40-00520-01	19	58-04026-07	41	62-10716-00	43
40-00520-02	17	58-04026-22	40	62-10717-00	43
40-00520-03	17	58-04026-26	31	62-10720-00	43
40-00542-00	17	58-04026-33	20	62-10902-02	43
40-00542-01	17	58-04026-34	22	62-10902-03	43
40-00583-00	17	58-04026-41	15	62-10902-04	43
40-00583-01	17	58-04101-00	5	65-00184-20	22
40-00585-00	17	58-04101-01	5	66CH1-1172-2	25, 26
40-00586-00	17	58-04101-07	15, 37	66CH1-1172-46	9
40-00622-00	17	58-04145-00	9	66U1-2403	7, 33
40-50025-00	17	58-04145-01	9	66U1-2403-1	5
42-00174-34	33	58-04145-06	8	66U1-2552-185	25, 26
42-00270-00	5	58-04251-00	25, 26	66U1-2583	41
42-00296-01	25, 26, 27	58-04260-00	9	66U1-2603	40
42-00327-00	25, 26, 27	58-04346-00	5	66U1-3442-2	13
42-00334-00	33	58-04366-00SV	5	66U1-3632-20	17
42-00384-01	17, 35, 48	58-04376-03	25, 26	66U1-3803	1, 19, 22
42-00384-02	17, 35, 48	58-04378-01	27	66U1-3803-1	1
42-00389-00	19	58-04435-00	35, 48	66U1-5321-13	25, 26
42-00390-00	19	58-04451-00	35, 48	66U1-5321-2	22
42-00407-00	25, 26	58-04461-00	35, 48	66U1-5321-3	23, 29, 31
42-00465-00	23	58-04461-01	35, 48	66U1-5321-5	29, 35
42-01098-01	37	58-04463-00	35	66U1-5321-6	9
44-00300-01	5	58-04481-00	15	66U1-5321-7	14, 19, 20, 22, 35, 37, 38, 40, 41
44-00300-02	5	58-04533-00	33	66U1-5321-8	5, 17, 19, 31, 35, 40
44-00300-03	5	58-04668-00	7	66U1-5331-3	5
44-00343-00	7	58-50014-00	19	66U1-5331-4	22
44-00370-08	17	62-02444-01	43	66U1-5361	14
44-00374-00	15, 37	62-02458-00	43	66U1-5361-11	35, 41
44-01043-05	1	62-02530-01	43		
44-01043-07	1	62-02719-00	11		
48-00350-01SV	35, 48	62-02721-07	43		
54-00586-20	14	62-02723-13	43		

# PART NUMBER INDEX

PART NO.	PAGE NO.	PART NO.	PAGE NO.	PART NO.	PAGE NO.
66U1-5361-25	14, 15, 19, 20, 22, 23, 29, 31, 35, 37, 38, 40	68-12933-07	26	69NT35-6278	9
		68-12940-00	25	69NT35-6412	41
		68-12940-03	26	69NT35-6412-2	41
66U1-5361-47	35	68-12940-05	26	69NT35-6532	31
66U1-5361-50	25	68-12993-00	35	69NT35-8382	40
66U1-5361-7	29	68-13167-00	19	69NT35-8693-8	15
66U1-5362-2	25, 26	68-13181-00	31	69NT35-8693-9	15
66U1-5371	22	68-13427-00SV	8	69NT40-222	9
66U1-5371-10	31	68-13432-02	15	69NT41-192	47
66U1-5371-13	31	68-13577-00	5	69NT41-782	19
66U1-5371-6	17, 40	68-14038-00	33	69NT41-942-10	33
66U1-5371-7	5, 9, 11, 19, 31	68-14040-00	33	69NT41-982-3	9
		68-14045-00	33	69NT42-688-7	5
66U1-5381-1	41	68-14046-00	33	69NT43-124-4	7
66U1-5391-2	9	68-14050-00	33	69NT43-125-1	7
66U1-5562-2	25, 26, 27	68-14085-00	14	69NT43-176	47
66U1-6651-4	9	68-14107-00	31	69NT43-277	19
66U1-6811-12	15	68-14113-00	19	69NT43-307	23
66U1-6811-15	5	68-14138-00	35	76-00397-01	1
66U1-6811-8	5, 15, 37	68-14139-00	35	76-00675-01	31
66U1-6835	9	68-14142-00	17	76-00701-05	37
66U1-6912-16	31	68-14148-00	33	76-00701-06SV	37
66U1-7472-1	1	68-14456-01	41	76-00701-10SV	37
66U1-7842-13	9	69NP20-1031	19	76-00701-11SV	37
66U1-7982-2	33	69NT35-1662	29	76-00704-01	15
66U1-8292-1	25, 26	69NT35-1662-1	29	76-00724-00SV	7
66U1-8912	15	69NT35-2287	7	76-50058-00	45
66U1-9212-1	13	69NT35-2692	11, 33	76-50059-00	45
66U1-9752	8, 9	69NT35-2692-1	15, 23, 31, 37, 38	76-50075-00	15
66U1-9782	41			76-50084-00SV	7
66U2-1132-2	19, 22	69NT35-2692-4	19	79-01695-00	25
68-11989-00	27	69NT35-3867	43	79-01697-06SV	27
68-11989-01	27	69NT35-3907	43	79-01697-17SV	27
68-12553-00	47	69NT35-4047	23	79-01706-05SV	9
68-12658-01	38	69NT35-5022-5	37	79-01785-00	20
68-12863-00	19	69NT35-5352-1	37	79-66626-00	26
68-12864-00	19	69NT35-5992	40	79-66626-01	26
68-12933-00	25	69NT35-6112	14	81-01539-12	19
68-12933-05	26	69NT35-6272	7		

# PART NUMBER INDEX

PART NO.	PAGE NO.	PART NO.	PAGE NO.	PART NO.	PAGE NO.
81-01681-00SV	15	<b>A</b>		<b>K</b>	
81-01682-00	31				
86-04405-00	35	AU11JR171	31	KA66FA138	31
86-04406-00	35				
86-04478-00	29	<b>E</b>			
86-04481-00	29				
86-04482-00	29	EC39DM062	20		
86-04505-00	29	EC39DM070	39		



A member of the United Technologies Corporation family. Stock symbol UTX  
©2007 Carrier Corporation • Printed in U. S. A. 12/07



**Carrier**

A United Technologies Company

Carrier Transicold Division,  
Carrier Corporation  
Container Products Group  
P.O. Box 4805  
Syracuse, N.Y. 13221 U.S.A

[www.carrier.transicold.com](http://www.carrier.transicold.com)